

1 2 3 4 5 6 7 8

REVISIONS				
ZONE	REV.	DESCRIPTION	DATE	APPROVED
	A	DWG ISSUED	7/06/2018	Kimman Wong

A

A

B

B

C

C

D

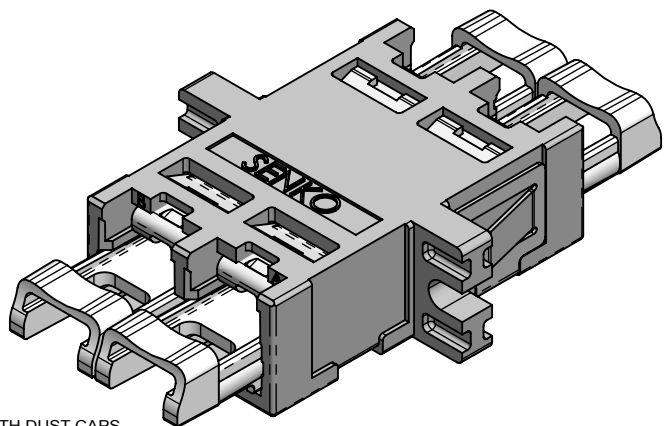
D

E

E

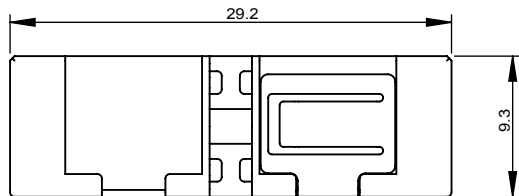
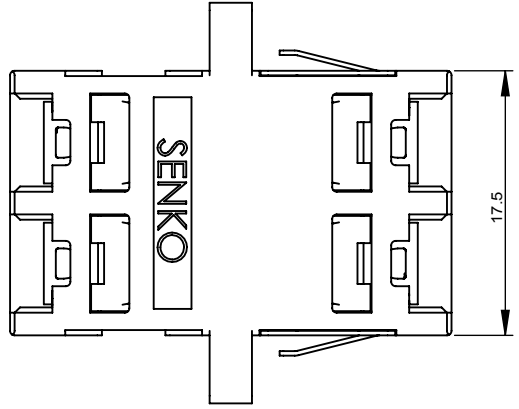
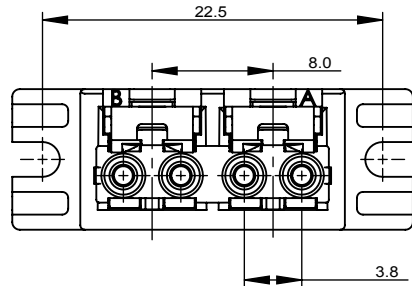
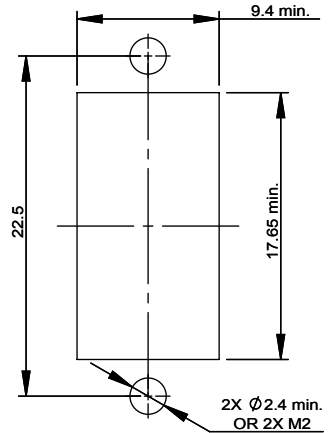
F

F



WITH DUST CAPS

MOUNTING HOLE DIMENSIONS  
(REFERENCE ONLY)  
PANEL THICKNESS 1.7mm MAX.



**CONFIDENTIAL**

Category

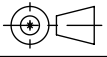
**C**

Information on this document is proprietary and may not be used, copied, reproduced, or disclosed without the written consent of SENKO Advanced Components, Inc.

UNLESS OTHERWISE SPECIFIED: DEBURRS ALL SHARP EDGES. DIMENSIONS ARE AFTER FINISH.

All Dimensions are in mm

TOLERANCES: X. = ±  
.X = ±  
.XX = ±  
.XXX = ±  
∠ = ±



Drawn By: ENG. DEPT.      Checked By: Kimman Wong      Material: N/A      Scale: Free



Part Number: 682-1X  
Description: CS DUAL CHANNEL (4-FIBER) ADAPTER WITH FLANGE

DWG# C-ENH18-358      Rev. A      Sheet 1

1 2 3 4 5 6 7 8