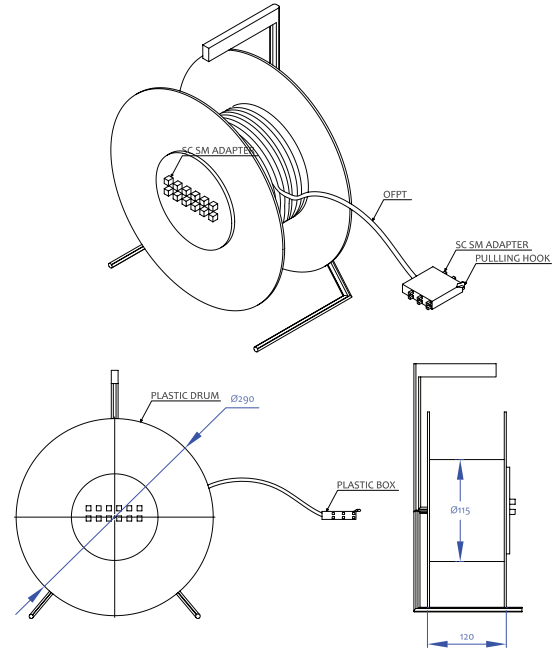


# EMERGENCY BY-PASS REEL



## By-pass reel

Fiber optic by-pass reels are a quick and portable solution to providing temporary network connections or for network failures or for troubleshooting. The system is a rugged distribution cable with customizable connectivity solutions at each end. The cable is deployed in minutes to provide fiber optic network service due to planned or unplanned events causing interrupted network communications. The cable is just as easily re-spooled and stored when no longer needed.

DESCRIPTION	SPECIFICATION
<b>FIBER</b>	SM G652D
<b>Insertion loss Max.</b>	0.6dB per channel
<b>Return loss Min,</b>	50dB per channel
<b>Directivity Min,</b>	50dB
<b>Crush Resistance</b>	3000N**
<b>Length in Reel</b>	100meter
<b>Reel dimension</b>	Ø290mm*
<b>Total weight</b>	3.2kg
<b>Storage temperature</b>	-40 to +70C
<b>Connector Type</b>	SC UPC Simplex connector

## Features

- ▶ Light weight, Less than 4kg for 100 meter
- ▶ Robust protection on fibers based on Miniflex OFPT
- ▶ Flexible connector and fiber type (up to 12F)
- ▶ Any kind of fibers (SM, MM, OM3) or connector (any type)
- ▶ Flexible length, up to 500 meter

## Applications

- ▶ Portable and easy connection in seconds
- ▶ Temporary connections for emergency, constructions, or out door event