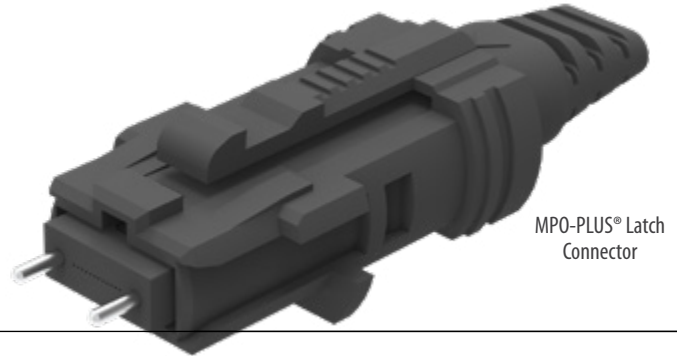


MPO-PLUS[®] LATCH CONNECTOR 704 Series



The MPO-PLUS[®] Latch connector features an innovative latch design for easier connection and disconnection than traditional push-pull MPO housings, while retaining the MPO-PLUS[®] oval spring and free-floating high-quality ferrules. It is compact, with a 20N spring for 24F ferrules, and includes a high-quality, low-loss ferrule. Note that a latch-compatible adapter is required.

The MPO-PLUS[®] Latch connector is ideal for high-density applications where space and accessibility are critical. It supports various types of fiber optic cables, such as ribbon, round, and trunk cables. It also offers Flex Angle and other boot options, providing flexibility in installation and usage.

FEATURES

- Gender changeable guide pins
- Compact size
- 12/24 Fiber center key
- Multiple boot variants up to 5.5 mm

APPLICATIONS

- Artificial intelligence (AI)
- FTTx
- Telecommunications
- Data center
- Cloud computing
- High performance computing (HPC)

KEY BENEFITS

- ✓ **Lowest insertion loss on the market**
- ✓ **Removable precision guide pins**
- ✓ **Patented latch release mechanism**

Mechanical Data

| | Value |
|-------------------|--|
| Durability | 500 matings per TIA-568.3 |
| Fiber Count | Up to 24 fibers |
| Cable Suitability | 2.0 mm to 5.5 mm round or bare/jacketed ribbon fiber |

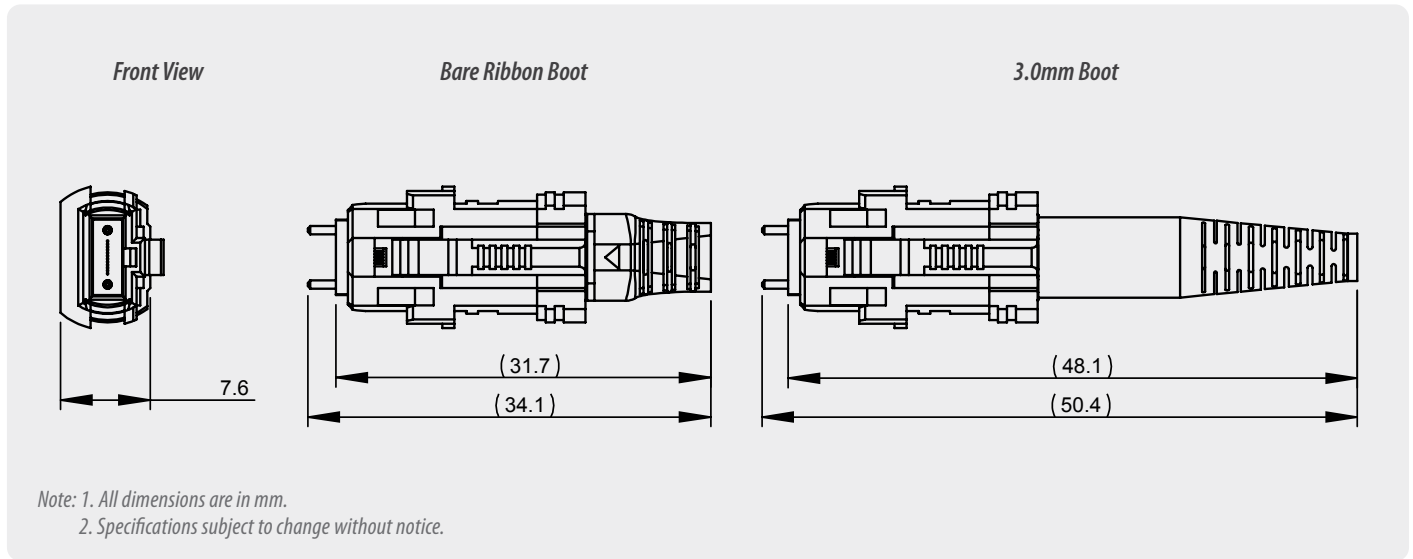
Optical Data

| | Singlemode | | Multimode | |
|--------------------------------------|---------------------------------------|----------|-----------|----------|
| | APC | | MM | |
| | Low Loss | Standard | Low Loss | Standard |
| Typical Insertion Loss (dB) 12-fiber | 0.10 | 0.20 | 0.08 | 0.15 |
| Max. Insertion Loss (dB) 12-fiber | 0.25 | 0.70 | 0.25 | 0.50 |
| Typical Insertion Loss (dB) 24-fiber | 0.15 | 0.25 | 0.15 | 0.20 |
| Max. Insertion Loss (dB) 24-fiber | 0.35 | 1.00 | 0.35 | 0.50 |
| Typical Return Loss (dB) | ≥60 | | ≥25 | |
| Durability | SM <0.3 dB typical change, 50 matings | | | |

Environmental Data

| | Value |
|-----------------------|----------------|
| Operating Temperature | -40°C to +75°C |
| RoHS Compliance | Yes |
| REACH Compliance | Yes |

Connector Drawing – 704 Series



ORDERING



| MPO LATCH | GENDER/PIN | FERRULE TYPE | FIBER COUNT | HOUSING COLOR | BOOT/CABLE |
|-----------|--|----------------------|-------------|---------------|--------------------------------------|
| 704F | F Female | SS SM Standard | 04 4F | B MM Black | 00 Bare Ribbon Bare Ribbon "No" Boot |
| | M Male | SL SM Super Low Loss | 08 8F | | 01 Fiber Bare Ribbon Boot |
| | G Female Gender Changeable (pin sold separately) | MS MM Standard | 12 12F | | 21 2.0mm 2.0mm Boot without Crimp |
| | | ML MM Super Low Loss | 24 24F | | 22 Round 2.0mm Boot with Crimp |
| | | | | | 32 3.0mm 3.0mm Flex Angle Boot |
| | | | | | 33 Round 3.0mm Short Boot |
| | | | | | 41 3.6mm 3.6mm Boot |
| | | | | | 42 Round 3.6mm Flex Angle Boot |
| | | | | | 46 Round 3.6mm Short Boot |
| | | | | | 51 Other Boot 4.5mm Boot |
| | | | | | 52 5.0mm Boot |
| | | | | | 53 5.5mm Boot |

704F - M - SS12 - B32 ORDER CODE example

Accessories - Cleaning

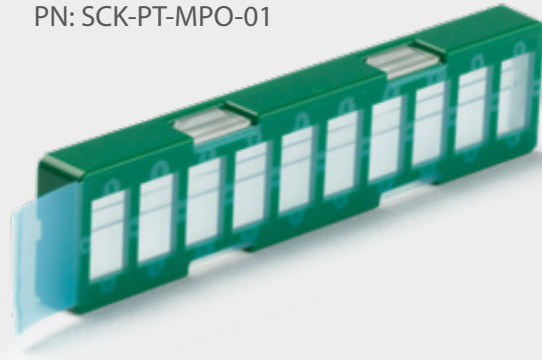
Smart Cleaner[™]

PN: SCK-SS-MPO (12/24F Center Key Connectors)
PN: SCK-SS-MPO-02 (16/32F Offset Key Connectors)



MPO-PLUS[®]

OPTRES Gel Cleaner
PN: SCK-PT-MPO-01



Accessories - Interferometry

SUMIX Manta W+ Inspection Scope

PN: SMX-Manta-W+



- Inspects 12 fiber in 2.6 seconds, 24 fiber in 4.5 seconds
- 0.5µm defect detection
- Inspection tips for MPO, CS, SN, LC available

SMX Manta W+ MPO Polarity and Continuity Module

PN: MPO Verifier



- Works for 8, 12, 24, 48 and 16, 32 fiber MPO
- Auto test and analysis

SUMIX Max QM+ Inspection Scope

PN: MAX-Quantum



- Inspects 12 fiber in 2.6 seconds, 24 fiber in 4.5 seconds
- 0.5µm defect detection

SMX Manta W+ Benchtop Holder

PN: MNT-W-Stand



SENKO[®]

Advanced Components

sales@senko.com
1-858-623-3300

senko.com/contact