

## **E-2000** **ADAPTER** **Series R823/846/847**



E-2000™ APC  
Simplex Adapter

The SENKO E-2000™ adapters, available in both simplex and duplex configurations, are designed to meet the highest standards of performance and reliability in fiber optic connectivity. These adapters feature robust construction with injection-molded PBT housing and high-quality split ceramic sleeves, ensuring minimal insertion loss and excellent durability. With spring-loaded shutters to protect connector end faces from contamination, the E-2000™ adapters are ideal for a wide range of applications, including WANs, LANs, metrology systems, and industrial environments. Compliance with EN 186270 and IEC 61754-15 standards further underscores their quality and reliability, making them a trusted choice for professionals in the field.

### FEATURES

- Sprung loaded shutter
- Precision zirconia alignment sleeve
- 1000 matings durability with or without flange options
- Compliant with EN 186270 and IEC 61754-15 standards

### KEY BENEFITS

- ✓ **High durability**
- ✓ **Standard compliant**
- ✓ **Simple installation**

## Mechanical Data

	Value
Durability	1000 matings
Fixing Method	2 Hole Screw Fixing
Housing Material	PBT and Metal
Alignment Sleeve Material	Zirconia
Fiber Count	Simplex (1 Channel), Duplex (2 Channel)
Connector Compatability	E-2000™

## Optical Data

	Value
Typical Insertion Loss (dB)	0.10
Max Insertion Loss (dB)	0.20

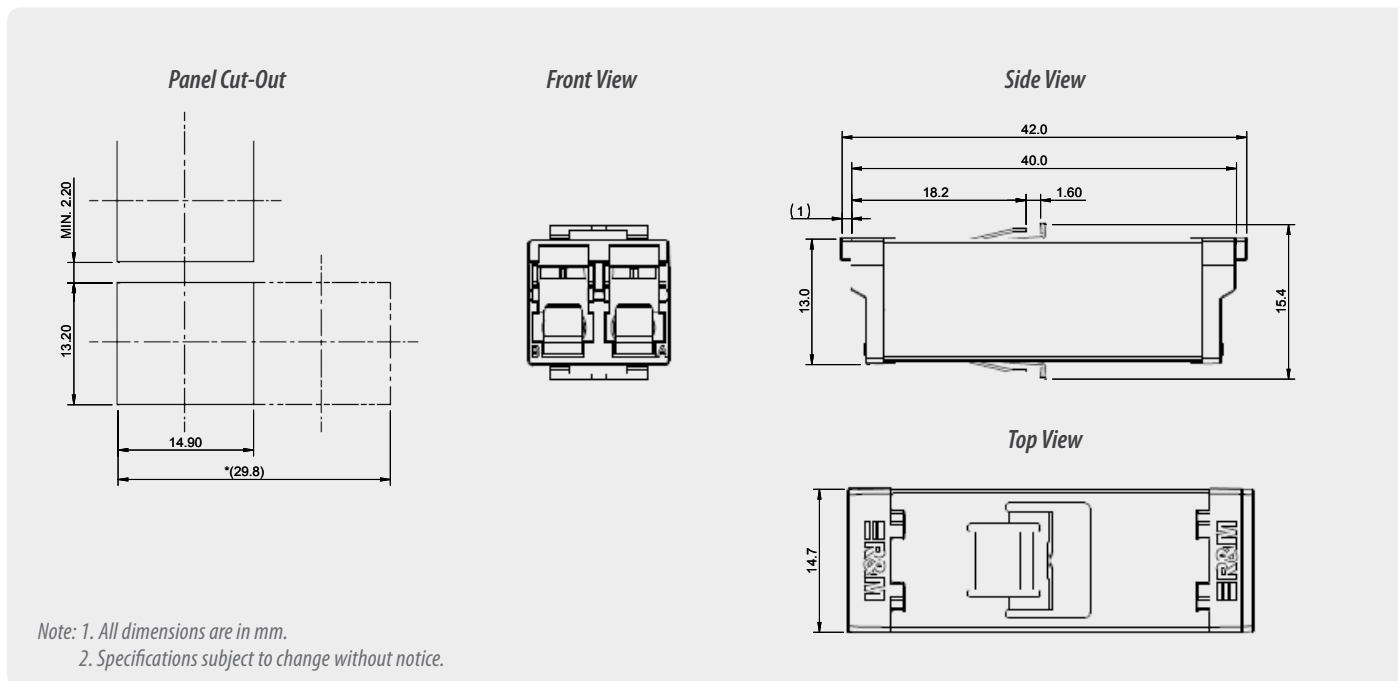
## Environmental Data

	Value
Operating Temperature	-40°C to +75°C
RoHS Compliance	Yes
REACH Compliance	Yes
Humidity Resistance	95%

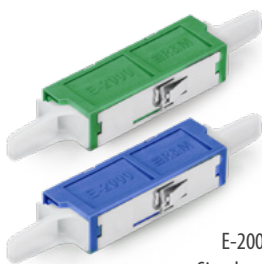
# E-2000 ADAPTER

## Series R823/846/847

### Connector Drawing



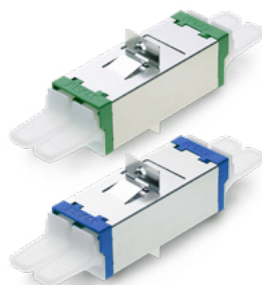
### ORDERING



E-2000™ APC Simplex Adapter

SIMPLEX ADAPTER CODE	
<b>R847081</b>	Black, SC footprint, with Flange
<b>R846580</b>	Blue, SC footprint, with Flange
<b>R846577</b>	Green, SC footprint, with Flange
<b>R846343</b>	Beige/white, Flangeless, SC Footprint
<b>R846340</b>	Blue, Flangeless, SC Footprint
<b>R846339</b>	Green, Flangeless, SC Footprint

**R847081** ORDER CODE example



E-2000™ SM UPC Compact Adapter, with Flange

COMPACT (RJ) ADAPTER	
<b>R823264</b>	Black, with Flange
<b>R823260</b>	Black, Flangeless
<b>R823262</b>	Blue, With Flange
<b>R823258</b>	Blue, Flangeless
<b>R823261</b>	Green, with Flange
<b>R823257</b>	Green, Flangeless

**R823264** ORDER CODE example

# SENKO<sup>®</sup>

Advanced Components

[sales@senko.com](mailto:sales@senko.com)  
1-858-623-3300

[senko.com/contact](https://senko.com/contact)