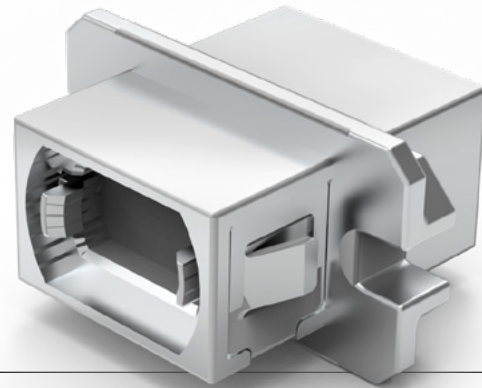


MPO-PLUS[®] **METAL ADAPTER** **7M7 / 7M8 Series**



MPO-PLUS[®]
Metal Adapter

SENKO's MPO-PLUS[®] Metal adapters are available for either center key MPO connectors (12, 24, 48 and 72 fibers) center keyway. Compliance to industry standard IEC 61754-7 assures compatibility with all industry standard MPO connectors. These adapters can either be snapped into panel cut-outs or screwed into place using an appropriate screw and nut.

The SENKO MPO-PLUS[®] Metal adapter offers rugged protection and laser eye safety with option shutter mechanism. The metal body is ideal for equipment manufacturers designing EMI protection into their products.

FEATURES

- Metal housing design
- Internal laser shutter option
- Center keyway
- Flanged and reduced flange

APPLICATIONS

- Artificial intelligence (AI)
- Electronic equipment
- Broadcasting
- Medical imaging
- Data center
- Cloud computing
- High performance computing (HPC)

KEY BENEFITS

- ✓ **Eye safety**
- ✓ **EMI protection**
- ✓ **Solid body construction**

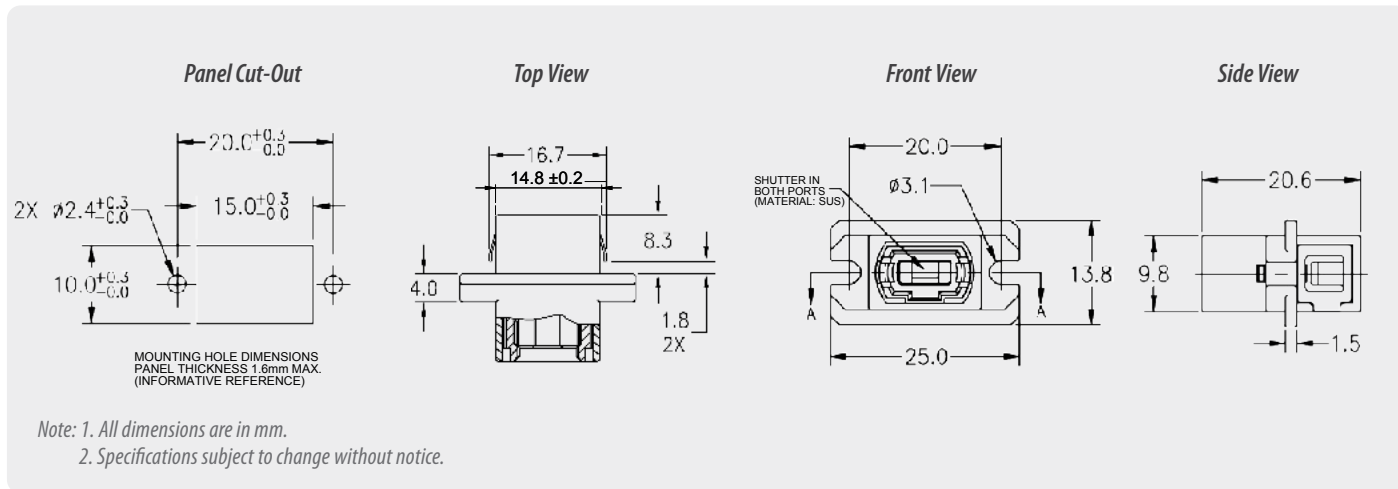
Mechanical Data

	Value
Durability	50 matings per GR-1435
Fixing Method	Snap-fit or screw and nut (<i>adapter with flange</i>)
Housing Material Type	Metal
Shutter Material Type	Metal

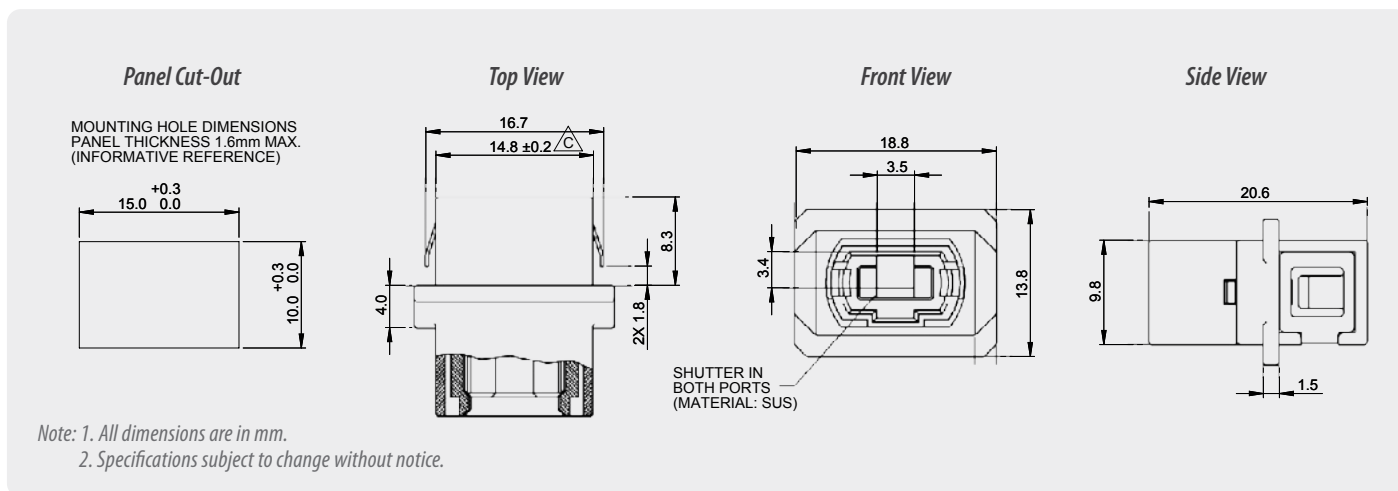
Environmental Data

	Value
Operating Temperature	-40°C to +75°C
RoHS Compliance	Yes
REACH Compliance	Yes

Adapter Drawing - Center Keyway with Flange and Shutter



Adapter Drawing - Center Keyway with No Flange and Shutter



ORDERING



MPO-PLUS[®]
Metal Adapter with
Internal Shutter



MPO-PLUS[®]
Adapter
No Flange

ADAPTER FLANGE		ADAPTER COLOR		SHUTTER	
7M7	Flange (Standard Flange)	1	Regular Key	None	No Shutter
7M8	No Flange (Reduced Flange)			A	Inner Shutter

7M7 1 A ORDER CODE example

Accessories - Cleaning

Smart Cleaner[™]

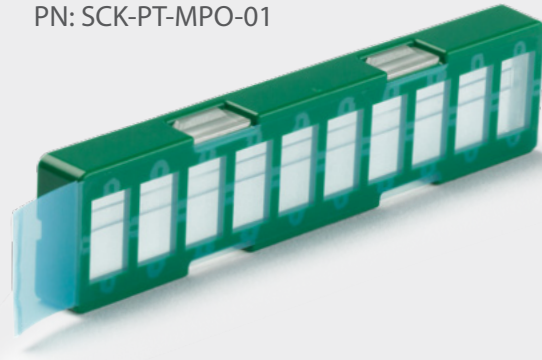
PN: SCK-SS-MPO (12/24F Center Key Connectors)
PN: SCK-SS-MPO-02 (16/32F Offset Key Connectors)



MPO-PLUS[®]

OPTRES Gel Cleaner

PN: SCK-PT-MPO-01



Accessories - Interferometry

SUMIX Manta W+ Inspection Scope

PN: SMX-Manta-W+



- Inspects 12 fiber in 2.6 seconds, 24 fiber in 4.5 seconds
- 0.5µm defect detection
- Inspection tips for MPO, CS, SN, LC available

SUMIX Max QM+ Inspection Scope

PN: MAX-Quantum



- Inspects 12 fiber in 2.6 seconds, 24 fiber in 4.5 seconds
- 0.5µm defect detection

SMX Manta W+ MPO Polarity and Continuity Module

PN: MPO Verifier



- Works for 8, 12, 24, 48 and 16, 32 fiber MPO
- Auto test and analysis

SMX Manta W+ Benchtop Holder

PN: MNT-W-Stand



SENKO[®]

Advanced Components

sales@senko.com
1-858-623-3300

senko.com/contact