

IP-16 LC SERIES Connector Bulkhead Adapter Inline Adapter



The IP-16 Connector series is SENKO's hardened fiber optic connectivity solution for outdoor applications and harsh environments. The light-weight, yet robust plastic housing provides IP68 rating, paired with ergonomic bayonet mechanics for quick and easy installations.

With its duplex LC structure, the IP-16 LC Connector serves for a variety of fiber network deployment that requires a pair of fibers for Tx and Rx signals. It incorporates Senko's reputable Premium quality LC connector for consistent, high-quality optical performance. The IP-16 LC adapter offers both the bulkhead type and the in-line type for flexible deployment configurations.

FEATURES

- IP68 rated hardened connector
- ODVA standard footprint
- Lightweight, yet rugged plastic body
- Bayonet lock with patented Safe Lock Ring
- UV resistance for outdoor applications
- 100lbs superior pull force
- Easy and quick termination
- Compatible with 4.5-11.0mm OD cable

APPLICATIONS

- FTTx, FTTH
- Broadcast
- Military
- Industrial
- Transport
- Renewable energy

KEY BENEFITS

- ✓ **IP68 rated**
- ✓ **100lbf pull force**
- ✓ **Easy installation bayonet mechanism**

Mechanical Data

	Value
Durability	50 matings
Fiber Count	Duplex (2 fibers)
Cable Suitability	4.5 - 11.0 mm round

Optical Data

	Singlemode				Multimode
	UPC		APC		MM
	Low Loss	Standard	Low Loss	Standard	Standard
Typical Insertion Loss (dB)*	0.05	0.08	0.07	0.12	0.10
Max. Insertion Loss (dB)*	0.15	0.20	0.15	0.25	0.20
Typical Return Loss (dB)*	≥55		≥65		≥25

* Based on master grade jumper to low loss random mating test

Environmental Data

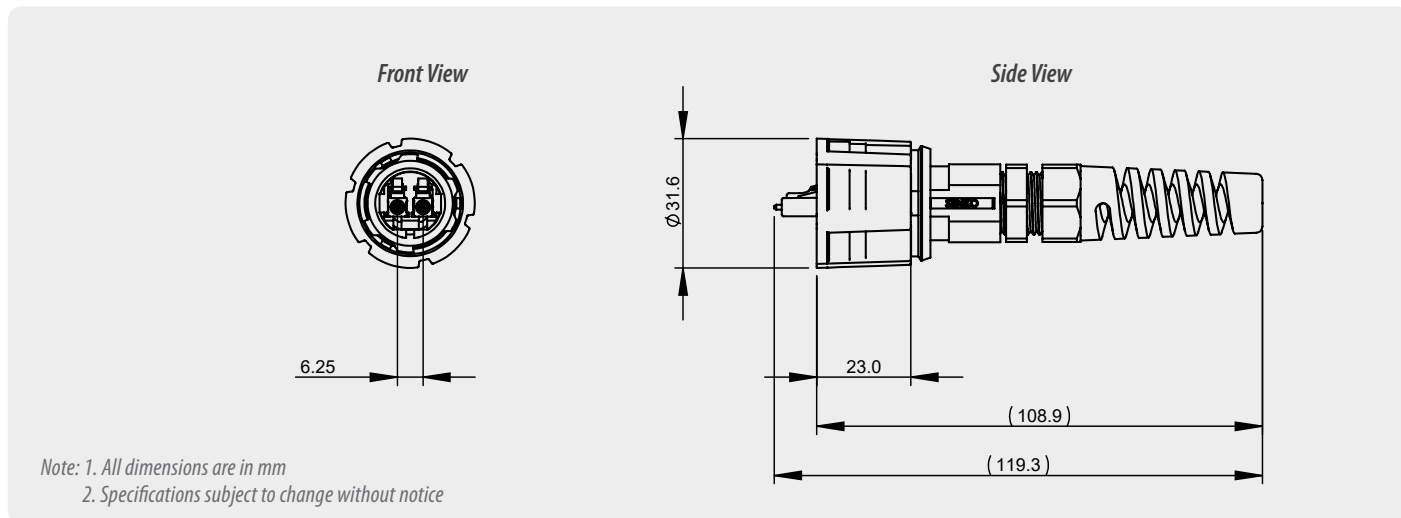
	Value
IP Rating*	IP68
Operating Temperature (C)	-40°C to +75°C
UV Resistance	Yes
RoHS Compliance	2015/863 RoHS
REACH Compliance	Yes

* The IP rating was validated using a SENKO sourced cable and termination procedure. It is recommended to retest IP rating for any other cable types.

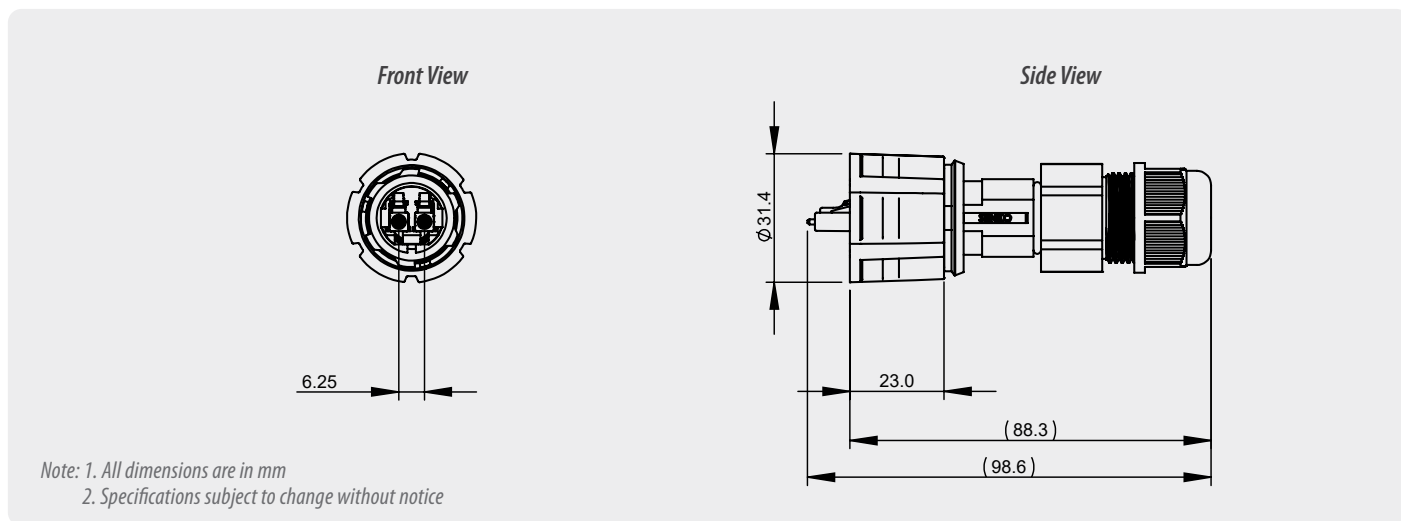
IP-16 LC SERIES Connector

HARSH ENVIRONMENT SERIES DATA SHEET

Connector Drawing 4.5 - 7.2 mm Type



Connector Drawing 7.5 - 11 mm Type



ORDERING



IP-16 LC Connector
4.5 - 7.2 mm SM UPC



IP-16 LC Connector
7.5 - 11 mm SM UPC

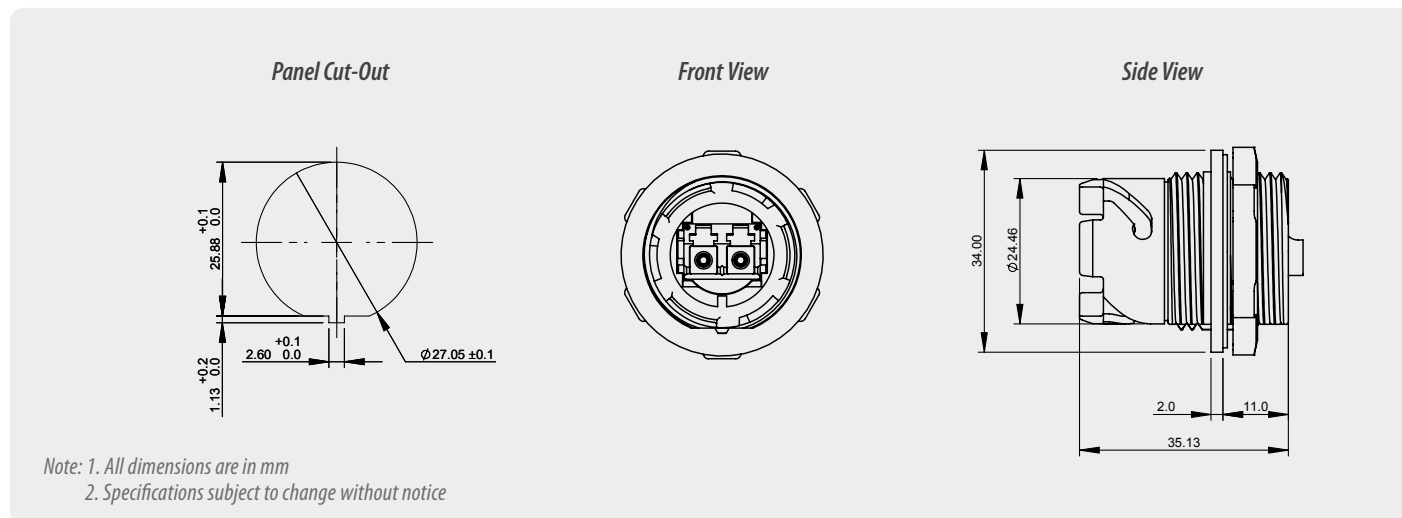
CONNECTOR TYPE		CONNECTOR TYPE		PERFORMANCE		FIBER COUNT		IP DUST CAP		IP DUST CAP	
IP16C2	IP-16 Connector Gen 2	LC	LC Connector	L	SM Blue	02	2 Fiber	4.8	4.5 mm - 4.9 mm	None	Without dust cap & teth
				G	SM APC Green			5.x	5.3 mm - 5.7 mm		
				A	MM Aqua			6.0	5.8 mm - 6.2 mm	D	With dust cap & tether
								7.0	6.8 mm - 7.2 mm		
								E	7.5 mm - 11 mm		

IP16C - LC102 - 4.8 - D ORDER CODE example

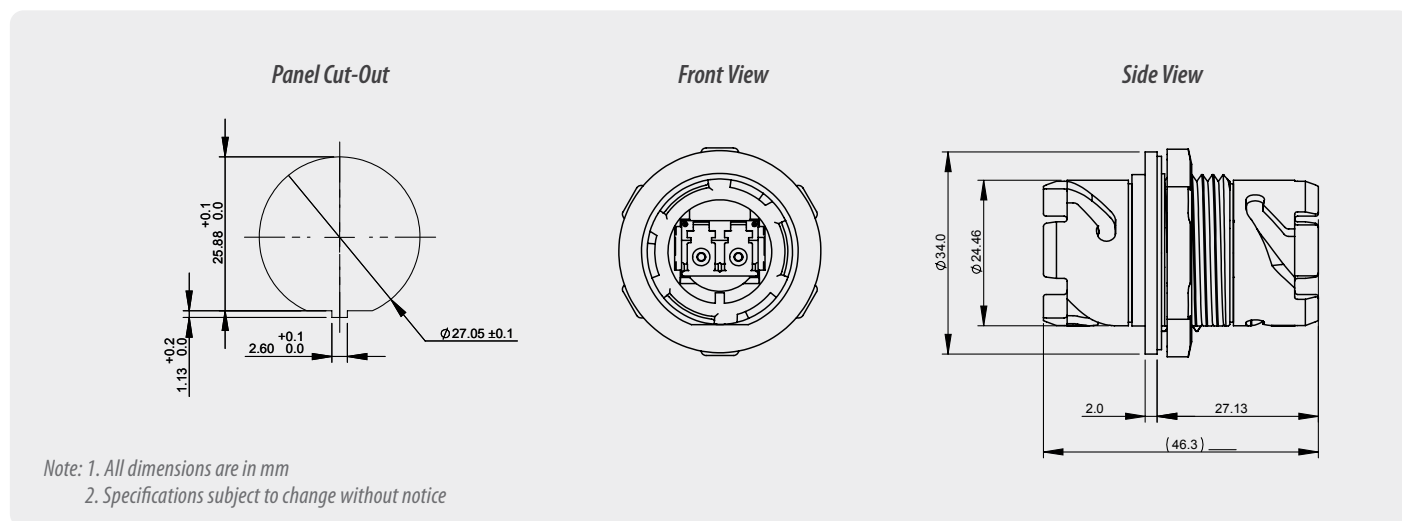
IP-16 LC SERIES

Bulkhead adapter

Bulkhead Adapter Drawing



Inline Adapter Drawing



ORDERING



IP-16
LC Bulkhead Adapter



IP-16
LC Inline Adapter

CODE	ADAPTER TYPE		LC ADAPTER COLOR		DUST CAPS	
	LA	Bulkhead	4S11	SM Blue	D	With
	LAI	Inline	4S31	APC Green	None	Without
			4S91	MM Aqua		

IP-LC-LA4S11-D ORDER CODE example

SENKO[®]

Advanced Components

sales@senko.com
1-858-623-3300

senko.com/contact