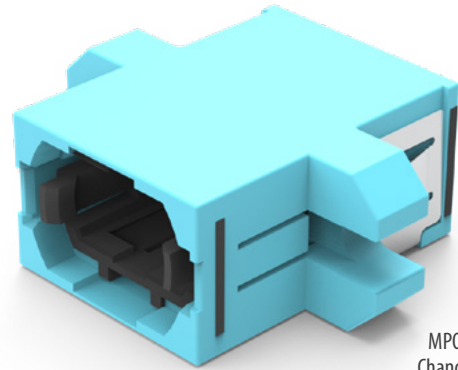


MPO-PLUS[®] **POLARITY CHANGEABLE** **ADAPTER** **773 / 774 / 7W3 / 7W4 Series**



MPO-PLUS Polarity Changeable Adapter

SENKO's MPO-PLUS Polarity Changeable adapters are available for either center key MPO connectors (12, 24, 48 and 72 fibers) or offset key MPO connectors (16 and 32 fibers). These adapters can either be snapped into panel cut-outs or screwed into place using an appropriate screw and nut.

The TIA-568 specification allows for three standard polarity options, A, B and C. Polarity changing is made simple with the SENKO polarity changeable adapter by inserting the tool into the front of the adapter to extract the keyway. Once removed they keyway is flipped and inserted into the adapter body, changing adapter from key up/key down to key up/key up configuration, effectively reversing the polarity of the connection.

The SENKO MPO-PLUS Polarity Changeable adapter future proofs your network from potential costly downtime due to improper cable polarity, making it a valuable choice for data centers, telecom, and other applications requiring MPO connectivity.

FEATURES

- Polarity changeable
- Center and offset keyways
- One piece outer body construction
- Flanged and reduced flange

APPLICATIONS

- Artificial intelligence (AI)
- FTTx
- Broadcasting
- Medical imaging
- Data center
- Cloud computing
- High performance computing (HPC)

KEY BENEFITS

- ✓ **Polarity changing for flat polished MPO**
- ✓ **Versatile - reduces SKUs needed**
- ✓ **Color coded for fiber type identification**
- ✓ **Compatible with Micro Latch, Bayonet and industry standard MPO connectors**

Mechanical Data

	Value
Durability	50 matings per GR-1435
Fixing Method	Snap-fit or screw and nut (<i>adapter with flange</i>)
Housing Material Type	Plastic

Environmental Data

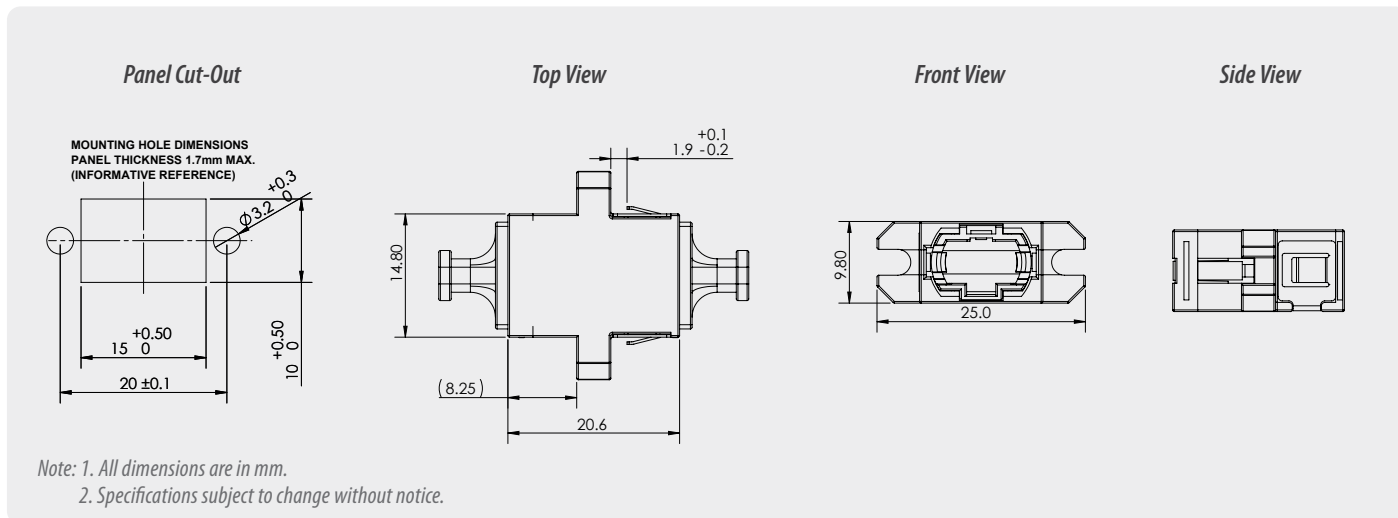
	Value
Operating Temperature	-40°C to +75°C
RoHS Compliance	Yes
REACH Compliance	Yes

MPO-PLUS[®] POLARITY CHANGEABLE ADAPTER

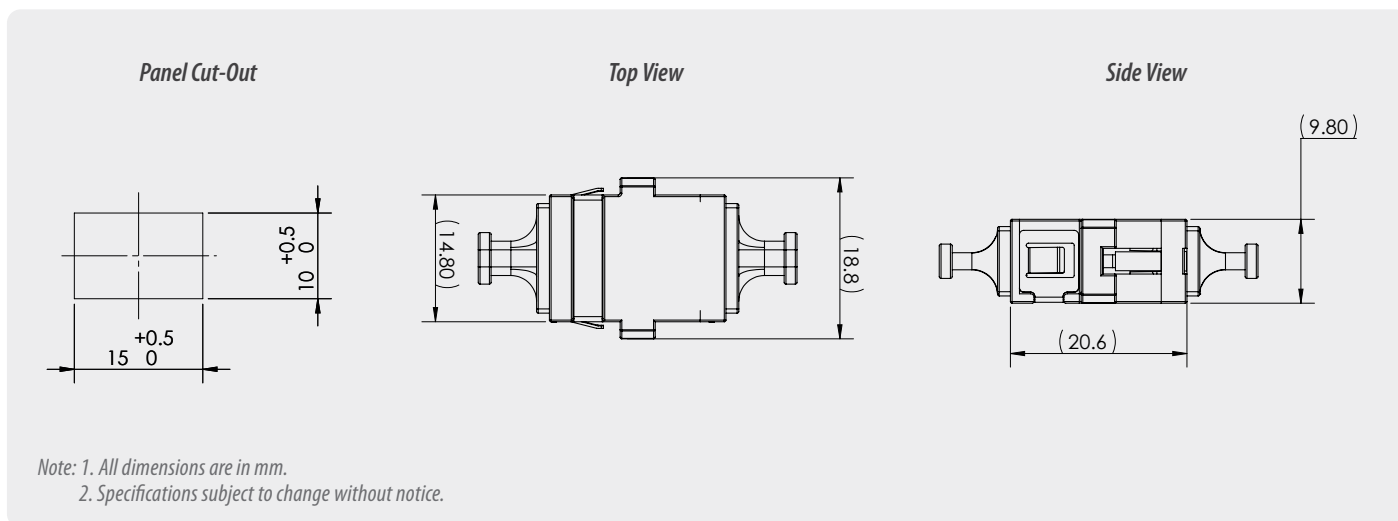
773, 774, 7W3 and 7W4 series

MPO-PLUS POLARITY CHANGEABLE ADAPTER DATA SHEET

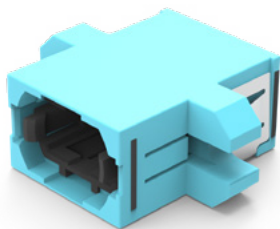
Adapter Drawing - 773-X Center Keyway with Flange



Adapter Drawing - 7W4-X Offset Keyway no Flange



ORDERING



MPO-PLUS Polarity Changeable Adapter with Flange

ADAPTER FLANGE		ADAPTER COLOR	
773	Flange (Standard Flange)	1	Black
774	No Flange (Reduced Flange)	2	OM3 Aqua
7W3	MPO 16/32F, Standard Flange	3	OM4 Heather Violet
7W4	MPO 16/32F, No Flange	K	Gray Aligned Key

773 - 1 ORDER CODE example

MPO-PLUS[®] POLARITY CHANGEABLE ADAPTER

Accessories

MPO-PLUS DUST SHUTTER ADAPTER DATA SHEET

Accessories - Cleaning

Smart Cleaner[™]

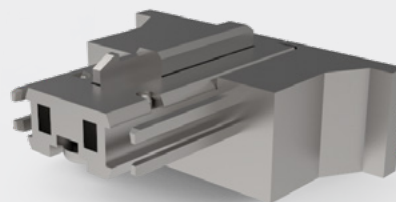
PN: SCK-SS-MPO (12/24F Center Key Connectors)
PN: SCK-SS-MPO-02 (16/32F Offset Key Connectors)



MPO-PLUS[®]

Polarity Changeable Adapter Extraction Tool

P/N: RMT-609



Accessories - Interferometry

SUMIX Manta W+ Inspection Scope

PN: SMX-Manta-W+



- Inspects 12 fiber in 2.6 seconds, 24 fiber in 4.5 seconds
- 0.5µm defect detection
- Inspection tips for MPO, CS, SN, LC available

SUMIX Max QM+ Inspection Scope

PN: MAX-Quantum



- Inspects 12 fiber in 2.6 seconds, 24 fiber in 4.5 seconds
- 0.5µm defect detection

SMX Manta W+ MPO Polarity and Continuity Module

PN: MPO Verifier



- Works for 8, 12, 24, 48 and 16, 32 fiber MPO
- Auto test and analysis

SMX Manta W+ Benchtop Holder

PN: MNT-W-Stand



SENKO[®]

Advanced Components

sales@senko.com
1-858-623-3300

senko.com/contact