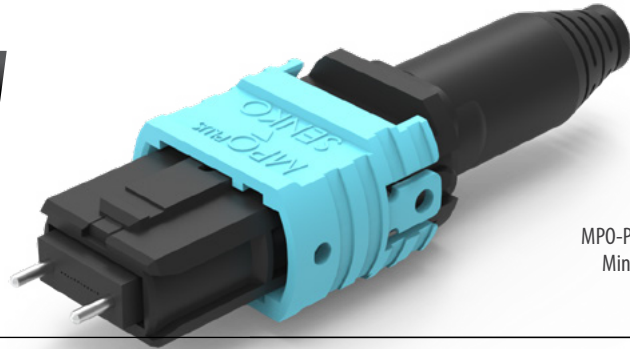


MPO-PLUS[®] PREMIUM MINI CONNECTOR 703 and 713 Series



MPO-PLUS Premium
Mini Connector

The MPO-PLUS Premium Mini connector is tailored for high-density scenarios where space is at a premium. Its compact design and optional pull-tab facilitate swift insertion and removal. Offering gender change capability without requiring the connector housing to be opened, it's exceptionally adaptable for various applications. Equipped with industry-leading Low Loss ferrules featuring a 20N spring for 16, 24, and 32 fiber versions, the MPO Mini sets a new standard. Also available is a GR-1435 qualified version.

Backed by rigorous testing and quality assurance, SENKO guarantees reliability and excellence, making it the perfect choice for future-proofing your optical connectivity and propelling your network into the next generation.

FEATURES

- Lowest insertion loss on the market
- High Density and compact size
- 12/24 Fiber center key
- 16/32 Fiber Offset key
- Multiple variants available for your application needs
- Gender changeable pins
- GR-1435 option available
- Polarity changeable 12/24F version

APPLICATIONS

- Artificial intelligence (AI)
- Data center
- FTTx
- Cloud computing
- Broadcasting
- Medical imaging
- High Performance Computing (HPC)

KEY BENEFITS

- ✓ **Lowest Insertion loss on the market**
- ✓ **Durability**
- ✓ **Precision metal guide pins**
- ✓ **Improved spring design**

Mechanical Data

	Value
Durability	500 matings per TIA-568.3
Fiber Count	Up to 32 fibers
Cable Suitability	2.0 mm - 5.5 mm round or bare / jacketed ribbon fiber

Optical Data

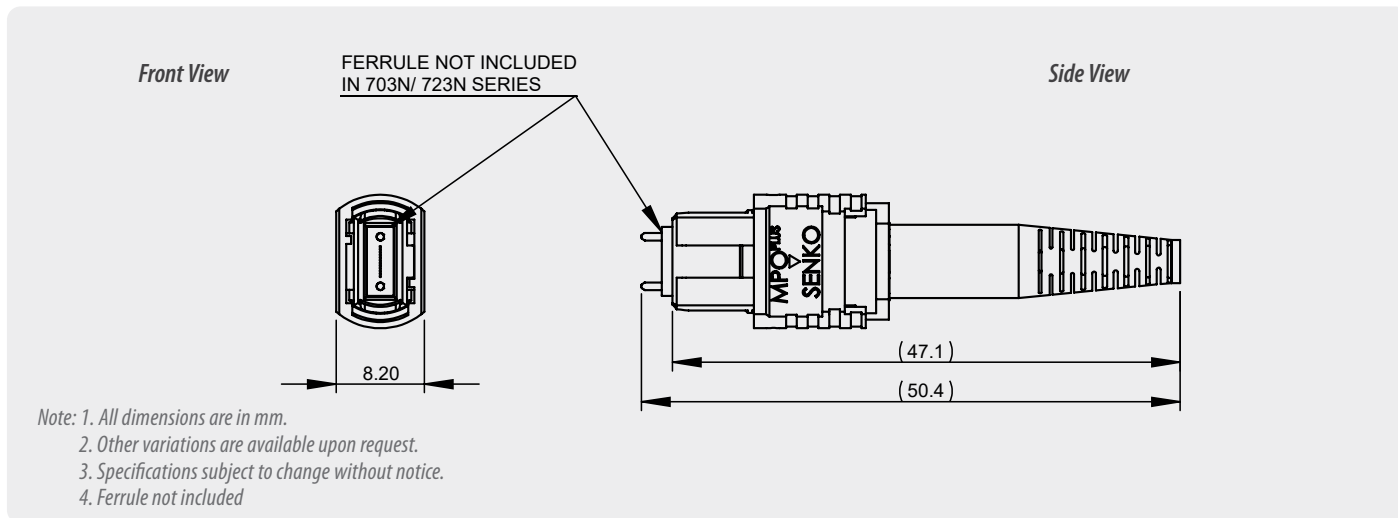
	Singlemode		Multimode	
	APC		MM	
	Low Loss	Premium	Low Loss	Premium
Typical Insertion Loss (dB)* 12-fiber	0.10	0.20	0.08	0.10
Max. Insertion Loss (dB)* 12-fiber	0.25	0.70	0.25	0.50
Typical Insertion Loss (dB)* 24-fiber	0.15	0.25	0.15	0.20
Max. Insertion Loss (dB)* 24-fiber	0.35	1.00	0.35	0.50
Typical Insertion Loss (dB)* 16-fiber	0.15	N/A	0.15	0.20
Max. Insertion Loss (dB)* 16-fiber	0.35	N/A	0.35	0.60
Typical Insertion Loss (dB)* 32-fiber	N/A	N/A	N/A	0.25
Max. Insertion Loss (dB)* 32-fiber	N/A	N/A	N/A	0.60
Typical Return Loss (dB)*	≥60		≥25	

* Based on master grade jumper to low loss random mating test

Environmental Data

	Value
Operating Temperature	-40°C to +75°C
RoHS Compliance	Yes
REACH Compliance	Yes

Connector Drawing - 703 Series



ORDERING

CONNECTOR	GENDER/PIN	FERRULE TYPE	FIBER COUNT	HOUSING COLOR	BOOT/CABLE	BOOT LENGTH
703F MPO-PLUS Mini Connector 12F/24F with MT Ferrule	F Female	SS SM Standard	04 4F	Y SM Low Loss Yellow	01 Bare Ribbon Fiber	Bare Ribbon Boot 13mm
		SL SM Low Loss	08 8F	G APC Green	02 Bare Ribbon Fiber	Bare Ribbon Short Boot 6mm
	M Male	MS MM Standard	12 12F	V MM OM4 Heather Violet	11 Flat Ribbon Cable	Flat Ribbon Cable Boot 21mm
		ML MM Low Loss	24 24F	A MM OM3 Aqua	21 2.0mm Round	2.0mm Boot with Crimp 27mm
				B MM Black	22 2.0mm Round	2.0mm Boot without Crimp 23mm
					31 3.0mm Round	3.0mm Boot 23mm
					32 3.0mm Round	3.0mm Flex Angle Boot 43.9mm
					33 3mm Short Boot	3mm Short Boot 16mm
					41 3.6mm Round	3.6mm Boot 16mm
					42 3.6mm Round	3.6mm Flex Angle Boot 31mm
					46 3.6mm Round	3.6mm Short Boot 43.9mm
					51 4.5mm Round	4.5mm Round Boot 31mm
					52 Other Round	5.0mm Round Boot 31mm
					53 5.5mm Round	5.5mm Round Boot 31mm

703F - F - MS12 - A31 ORDER CODE example

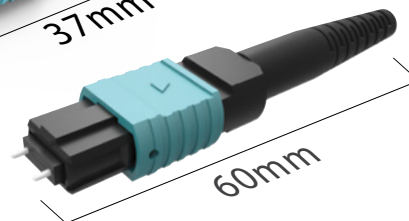
- Note: 1. Custom configurations available upon request.
 2. Please visit Senko.com/mposelect for other combinations.
 3. 3.8mm and 4.0mm boot option available.



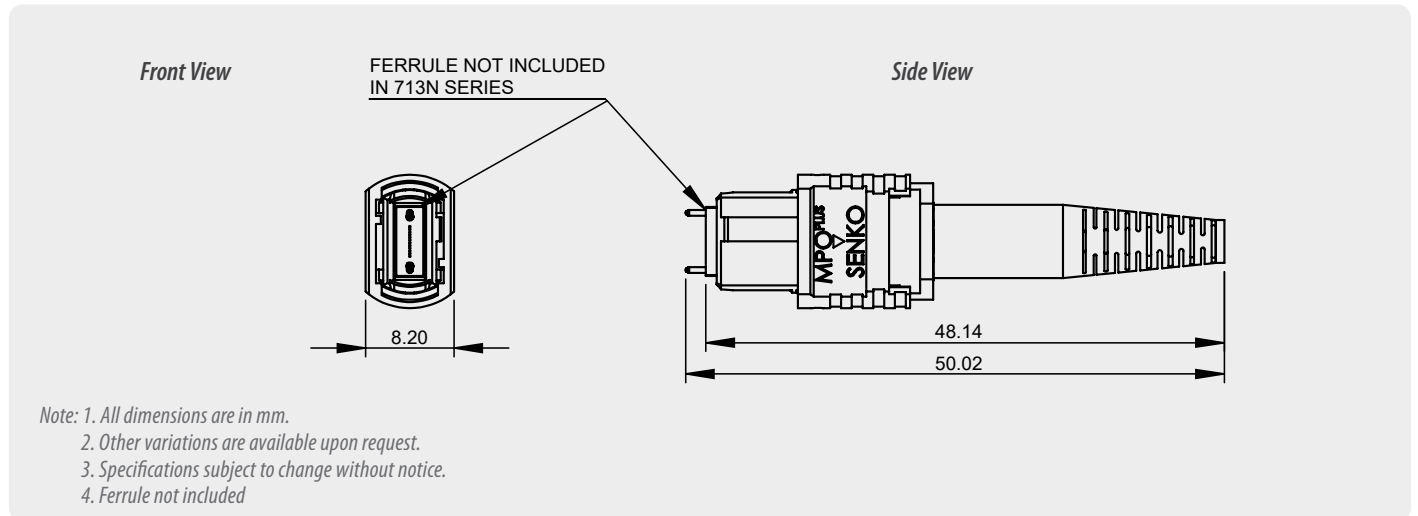
MPO-PLUS Mini Connector



Conventional MPO Brand Connector



Connector Drawing - 713 Series



ORDERING

CONNECTOR	GENDER/PIN	FERRULE TYPE	FIBER COUNT	HOUSING COLOR	BOOT/CABLE	BOOT LENGTH
713F MPO-PLUS Mini Connector 16F/32F with MT Ferrule	F Female	SS SM Standard	16 16F	Y SM Low Loss Yellow	01 Bare Ribbon Fiber	Bare Ribbon Boot 13mm
	M Male	SL SM Low Loss	32 32F	G APC Green	02 Bare Ribbon Fiber	Bare Ribbon Short Boot 6mm
		MS MM Standard		V MM OM4 Heather Violet	31	3.0mm Boot 27mm
		ML MM Low Loss		A MM OM3 Aqua	32	3.0mm Flex Angle Boot 43.9mm
				T MM Beige	33	3.0mm Short Boot 16mm
				B MM Black	41	3.6mm Boot 31mm
				M MM OM5 Lime Green	42	3.6mm Flex Angle Boot 31mm
					46	3.6mm Short Boot 12.5mm
					51	4.5mm Round Boot 31mm
					52	5.0mm Round Boot 31mm
					53	5.5mm Round Boot 31mm

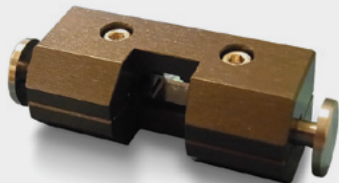
713F - F - MS12 - A31 ORDER CODE example

Note: 1. Custom configurations available upon request.
 2. Please visit Senko.com/mposelect for other combinations.
 3. 3.8mm and 4.0mm boot option available.

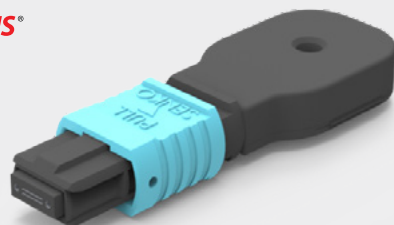


Accessories**MPO-PLUS®****Removal Tool**

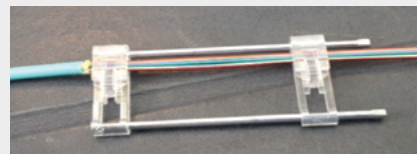
PN: RMT-603



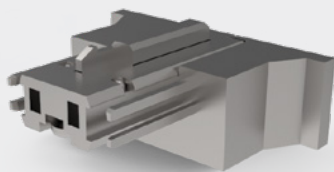
- Removes Outer housing for gender change and ferrule cleaning

MPO-PLUS®**Ribbon Stripper****MPO-PLUS®****Loopback****MPO-PLUS®****Ribbonizer**

PN: RBN-601

**MPO-PLUS®****Polarity Changeable Adapter Extraction Tool**

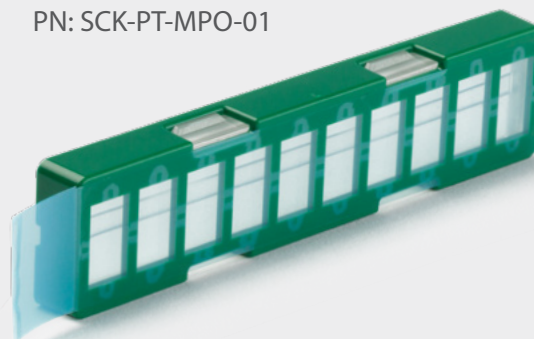
PN: RMT-609

**MPO-PLUS®****Quality Master Jumper****Accessories - Cleaning****Smart Cleaner⁺**

PN: SCK-SS-MPO (12/24F Center Key Connectors)
 PN: SCK-SS-MPO-02 (16/32F Offset Key Connectors)

**MPO-PLUS®****OPTRES Gel Cleaner**

PN: SCK-PT-MPO-01



Accessories - Interferometry

SUMIX Manta W+ Inspection Scope

PN: SMX-Manta-W+



- Inspects 12 fiber in 2.6 seconds, 24 fiber in 4.5 seconds
- 0.5µm defect detection
- Inspection tips for MPO, CS, SN, LC available

SUMIX Max QM+ Inspection Scope

PN: MAX-Quantum



- Inspects 12 fiber in 2.6 seconds, 24 fiber in 4.5 seconds
- 0.5µm defect detection

SMX Manta W+ MPO Polarity and Continuity Module

PN: MPO Verifier



- Works for 8, 12, 24, 48 and 16, 32 fiber MPO
- Auto test and analysis

SMX Manta W+ Benchtop Holder

PN: MNT-W-Stand



SENKO[®]

Advanced Components

sales@senko.com
1-858-623-3300

senko.com/contact