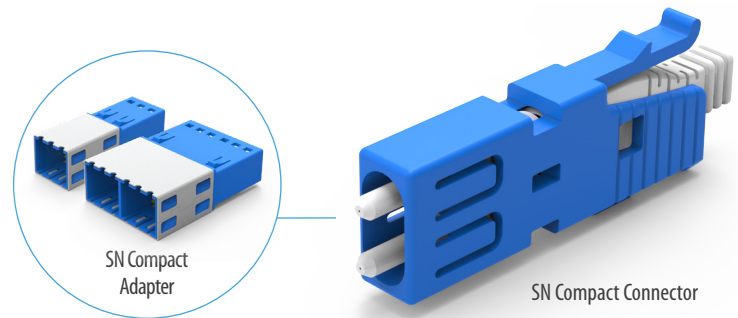


SN[®] **CONNECTOR**

Compact 1-Channel (2F) BTW (Behind The Wall)



SENKO's SN[®] Compact connector is explicitly designed for the SN[®] Compact adapter series in BTW (Behind The Wall) applications and is often deployed inside miniature cassette systems with little or no space above or below the adapters. The compact series allows for 3-channel and 6-channel configurations to suit different cassette types and fiber counts.

The SN[®] Compact Connector features a latch-locking mechanism to confirm engagement with the adapter and uses industry-standard 1.25 mm ferrule technology that has been used in LC connectors for decades.

SENKO offers product development support for hardware vendors and solution providers that want to adapt the SN[®] compact series to fit their particular fiber-management system or application.

FEATURES

- Meets IEC random mating Grade B
- Upper latch mechanism with an audible click
- Reduced connector height for low-profile cassette systems
- Works with SN[®] Compact Adapters
- Single boot for 2 x 600/900 μm buffered fibers
- UPC and APC versions are available
- Proven LC ferrule technology

APPLICATIONS

- Miniature low-profile cassettes
- High-density patch panels
- 1RU panels with three rows of adapters
- Front access fiber management systems

KEY BENEFITS

- ✓ **Reduced connector height**

Mechanical Data

	Value
Durability	500 matings per TIA-568
Fiber Count	Duplex (2 fibers)
Cable Suitability	2 x 600/900 μm buffered fibers
Ferrule Material	Zirconia
Dust Protection Method	Removable dust plugs that encapsulate the ferrules

Optical Data

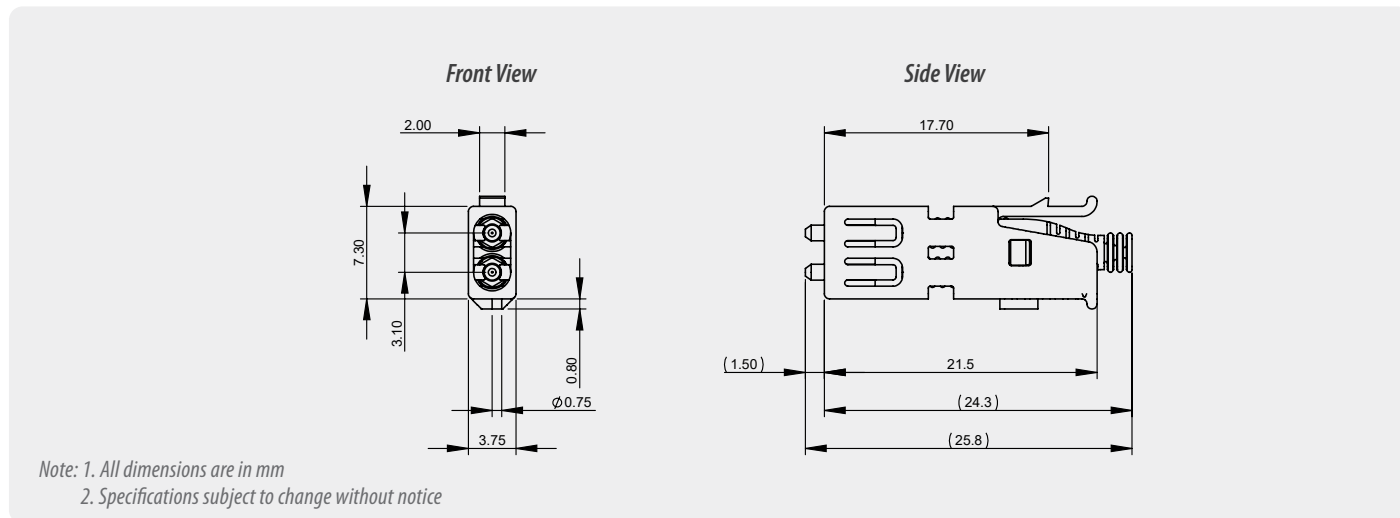
	Singlemode				Multimode
	UPC		APC		MM
	SM Premium Low Loss	SM Premium	SM Premium Low Loss	SM Premium	Premium
Typical Insertion Loss (dB)*	0.05	0.08	0.07	0.12	0.05
Max. Insertion Loss (dB)*	0.15	0.20	0.15	0.25	0.15
Typical Return Loss (dB)*	≥55		≥65		≥25
Ferrule Diameter (μm)	125.5				127

* Based on master grade jumper to low loss random mating test

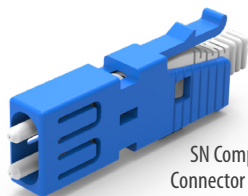
Environmental Data

	Value
Operating Temperature	-40°C to +75°C
RoHS Compliance	2015/863 RoHS
REACH Compliance	Yes
Free of Halogen	Yes
Humidity Resistance	95%

1-Channel Connector Drawing

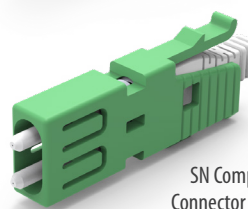


ORDERING



SN Compact Connector UPC

CONNECTOR TYPE	PERFORMANCE	HOUSING COLOR	BOOT COLOR
606 SN Compact Connector UPC	151 SM Premium	1 Blue	1 White
	158 SM Premium Low Loss	5 Aqua	
	251 MM Premium	6 Heather Violet	



SN Compact Connector APC

CONNECTOR TYPE	PERFORMANCE	HOUSING COLOR	BOOT COLOR
616 SN Compact Connector APC	153 APC Premium	3 Green	1 White
	158 APC Premium Low Loss		

616 - 153 - 31 ORDER CODE example

Note: 1. The SN Compact connector was previously called the BTW2 Connector
2. Connector supplied with protective dust-cap

SENKO[®]

Advanced Components

sales@senko.com
1-858-623-3300

senko.com/contact