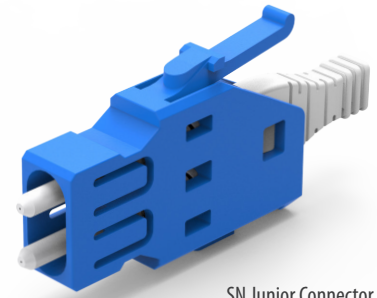


SN[®] **JUNIOR CONNECTOR** **1-Channel (2F)** **BTW (Behind The Wall)**



SN Junior Connector

The SN[®] Junior connector is designed for applications that require less space consumption BTW (Behind The Wall) than conventional patch cord connectors. With a much shorter body length and boot length than conventional connectors, the SN[®] Junior offers users the chance to reduce the depth of transition cassettes and modules as well as free up valuable space within fiber management panels for additional hardware such as splice cassettes, coherent devices or optoelectronic equipment.

The SN[®] Junior connector has a latch on the upper side of the connector that provides an audible click when it is plugged into an adapter. At the rear of the connector is a boot that will accept two 600 or 900-micron buffered fibers. Junior connectors are most commonly used for applications such as pigtail splicing or transition assemblies where multi-fiber connectors break out to multiple duplex connectors within the same module or panel.

SN[®] Junior connectors are compatible with standard SN[®] adapters and SC Footprint SN[®] adapters.

FEATURES

- Meets IEC random mating Grade B
- Upper latch mechanism with an audible click
- Reduced connector/boot length
- Single boot for 2 x 600/900µm buffered fibers
- UPC and APC versions available
- Proven LC ferrule technology
- Extra small for space-limited applications

APPLICATIONS

- Pigtail splicing modules and panels
- Coherent and On-Board optics
- MPO/SN-MT to SN[®] transition modules
- Optoelectronic equipment
- Shallow-depth cassettes

KEY BENEFITS

- ✓ **Reduced connector length**

Mechanical Data

	Value
Durability	500 matings per TIA-568
Fiber Count	Duplex (2 fibers)
Cable Suitability	2 x 600/900µm buffered fibers
Ferrule Material	Zirconia
Dust Protection Method	Removable dust plugs that encapsulate the ferrules

Optical Data

	Singlemode				Multimode
	UPC		APC		MM
	SM Premium Low Loss	SM Premium	SM Premium Low Loss	SM Premium	Premium
Typical Insertion Loss (dB)*	0.05	0.08	0.07	0.12	0.05
Max. Insertion Loss (dB)*	0.15	0.20	0.15	0.25	0.15
Typical Return Loss (dB)*	≥55		≥65		≥25
Ferrule Diameter (µm)	125.5				127

* Based on master grade jumper to low loss random mating test

Environmental Data

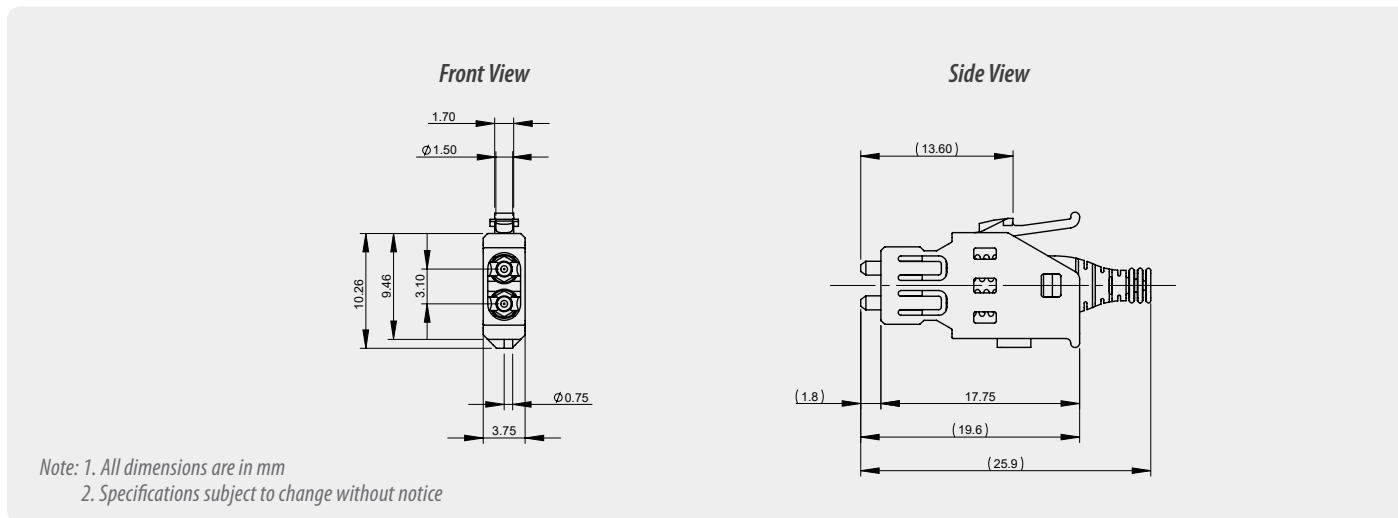
	Value
Operating Temperature	-40°C to +75°C
RoHS Compliance	2015/863 RoHS
REACH Compliance	Yes
Free of Halogen	Yes
Humidity Resistance	95%

SN® JUNIOR CONNECTOR

1-channel (2F)

SN® CONNECTOR DATA SHEET

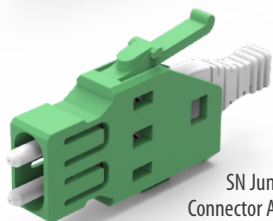
1-Channel Connector Drawing



ORDERING



SN Junior Connector UPC



SN Junior Connector APC

CONNECTOR TYPE	PERFORMANCE	HOUSING COLOR	BOOT COLOR
603 SN Junior Connector UPC	151 SM Premium	1 Blue	1 White
	158 SM Premium Low Loss	5 Aqua	
	251 MM Premium	6 Heather Violet	

CONNECTOR TYPE	PERFORMANCE	HOUSING COLOR	BOOT COLOR
613 SN Junior Connector APC	153 APC Premium	3 Green	1 White
	158 APC Premium Low Loss		

613 - **153** - **31** ORDER CODE example

*Note: 1. The SN Junior Connector was previously called the BTW1 Connector
2. Connector supplied with protective dust-cap*

SENKO[®]

Advanced Components

sales@senko.com
1-858-623-3300

senko.com/contact