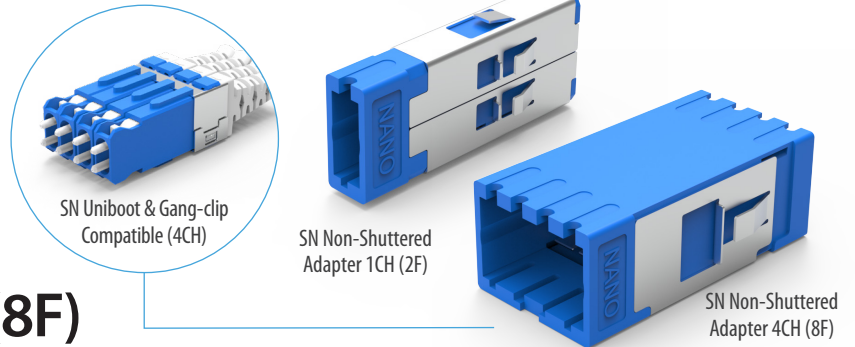


## **SN**<sup>®</sup> ADAPTER Standard Non-Shuttered 1 (2F) and 4-Channel (8F)



SENKO's SN<sup>®</sup> non-shuttered adapters are available either as a 1-channel (2 fibers) or 4-channel variant (8 fibers). The single channel is designed for applications requiring the separation of individual optical channels such as coherent optics or wave-splitting. The 4-channel version is designed to maximize port density within patch panels.

This adapter is slightly smaller than the shuttered version. Having the same footprint size as QSFP-DD transceivers, operators can now replicate switch-ports with inter-connected patch panels on a 1:1 basis. Due to its compact size, the SN<sup>®</sup> 4-channel adapter allows users to achieve the highest possible density within patch panels and optical distribution frames. Up to 432 fibers can be presented in a single 1RU (Rack Unit) subject to cable management and connector-access limitations.

All of SENKO's SN<sup>®</sup> adapters are designed either to be snapped into panel cut-outs or screwed into place using an appropriate bolt and nut. Adapters incorporating an integrated fixing flange will require additional space between each cut-out.

### FEATURES

- Premium one-piece body design
- Up to 432 fibers per 1RU (Rack Unit)
- Same footprint as QSFP-DD transceiver
- Accepts SN<sup>®</sup> standard and junior connectors
- Supports 200G/400G VSFF connectivity
- Color coded for rapid identification of fiber-type
- Telcordia, ANSI, TIA and IEC Compliant
- Identification marking for fast and simple connector alignment

### APPLICATIONS

- High-density patch panels
- Spine/Leaf architectures
- Switch replication
- Opto-electronic equipment
- WDM equipment
- MUX and DEMUX equipment
- Mass server consolidation EoR, MoR

### KEY BENEFITS

- ✓ OSFP-DD footprint
- ✓ Optimum panel packing density

## Mechanical Data

Mechanical Data	Value
Durability	500 matings per TIA-568
Fixing Method	Snap-fit ( <i>adapter without flange</i> ) or screw and nut ( <i>adapter with flange</i> )
Housing Material Type	Plastic
Fixing Spring Material Type	Metal stainless steel
Sleeve Material	Zirconia
Dust Protection Method	Removable dust plugs

## Optical Data

Optical Data	Value
Typical Insertion Loss (dB)*	0.10
Max. Insertion Loss (dB)*	0.20

\* Based on master grade jumper to low loss random mating test

## Environmental Data

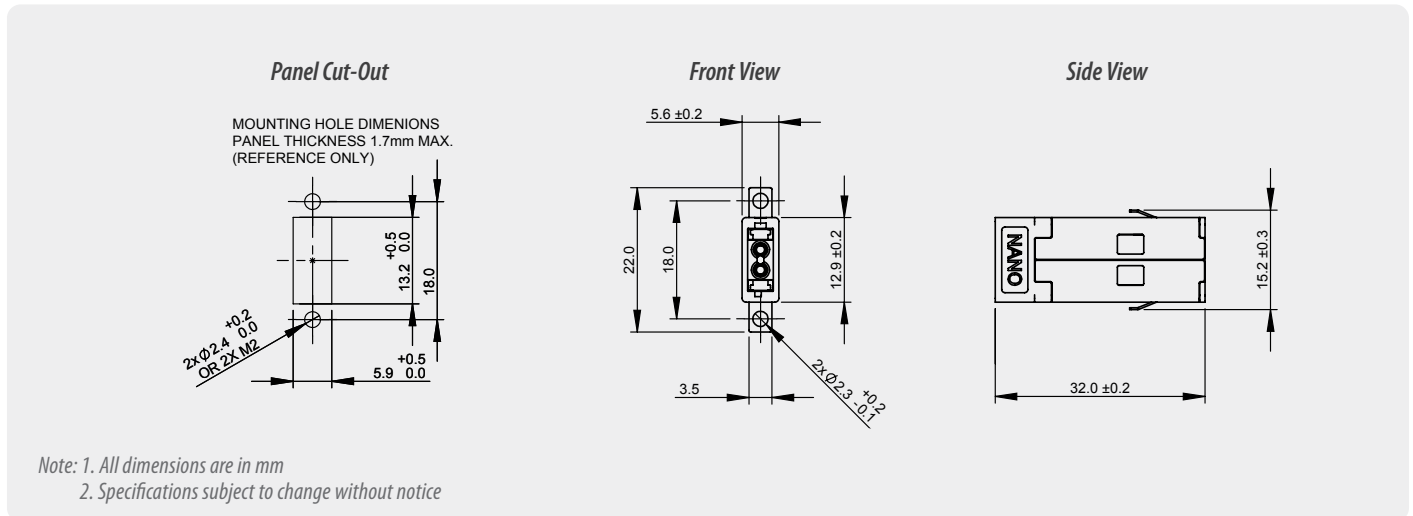
Environmental Data	Value
Operating Temperature	-40°C to +75°C
RoHS Compliance	2015/863 RoHS
REACH Compliance	Yes
Free of Halogen	Yes
Humidity Resistance	95%

# SN<sup>®</sup> ADAPTER

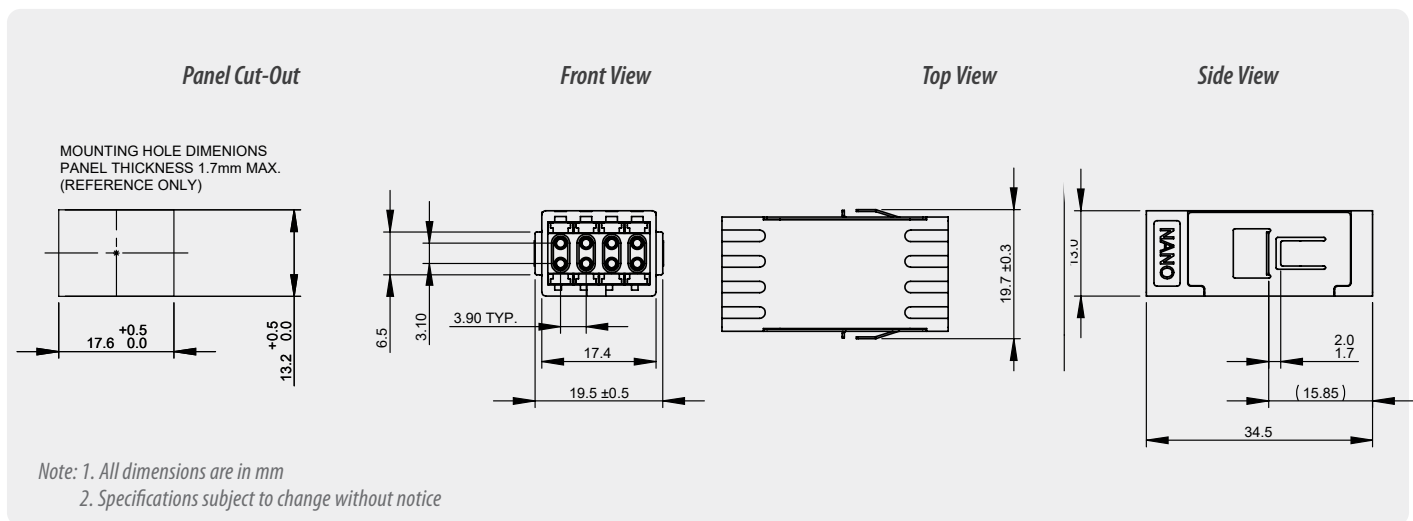
Standard, non-shuttered, 1-channel (2F) and 4-channel (8F)

SN ADAPTER DATA SHEET

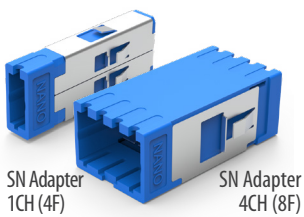
## 1-Channel Adapter Drawing



## 4-Channel Adapter Drawing



## ORDERING



SN FOOTPRINT TYPE		FLANGE		HOUSING COLOR	
691	SN 1-Channel (2F) Non-Shuttered Adapter	1	With Flange	1	Blue (SM PC/UPC)
694	SN 4-Channel (8F) Non-Shuttered Adapter	2	Without Flange	3	Green (SM APC)
				7	Heather Violet (MM OM4)
				9	Aqua (MM OM3)

691 - 17 ORDER CODE example

Note: Adapter supplied with protective dust-cap on both sides

# SENKO<sup>®</sup>

Advanced Components

[sales@senko.com](mailto:sales@senko.com)  
1-858-623-3300

[senko.com/contact](https://senko.com/contact)