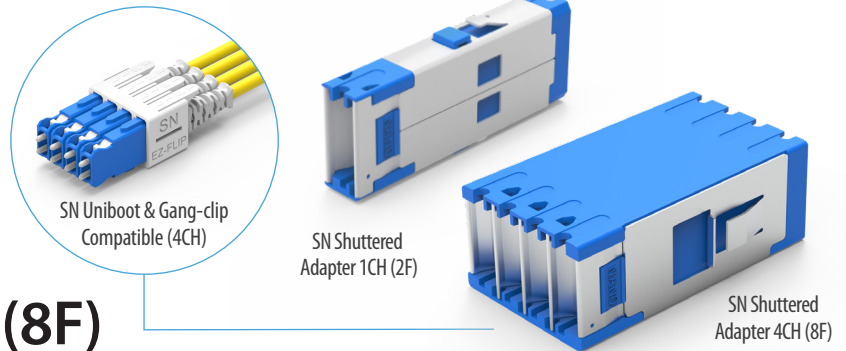


SN[®] ADAPTER Standard Shuttered 1 (2F) and 4-Channel (8F)



SENKO's SN[®] shuttered adapters are available either as a 1-channel (2 fibers) or 4-channel variant (8 fibers). The single channel is designed for applications requiring the separation of individual optical channels such as coherent optics or wave-splitting. The 4-channel (8 fibers) version is designed for maximizing port density within patch panels.

This adapter is slightly larger than the non-shuttered version due to the addition of dividing walls that support the integrated shutters. When the connector is inserted into the adapter, the body of the connector (not the ferrule) pushes the shutter open so that the ferrules can be guided into the adapter sleeve.

All of SENKO's SN[®] adapters are designed either to be snapped into panel cut-outs or screwed into place using an appropriate screw and nut. Adapters incorporating an integrated fixing flange will require additional space between each cut-out.

FEATURES

- Premium one-piece body design
- Maximum density 216CH/432F in 1RU
- Integrated shutter reduces the impact of contaminants
- Accepts SN[®] standard and junior connectors
- Supports 200G/400G VSFF connectivity
- Color-coded for rapid identification of fiber-type
- Telcordia, ANSI, TIA, and IEC compliant
- Identification marking for fast and simple connector alignment

APPLICATIONS

- High-density patch panels
- Spine/Leaf architectures
- High-density cross-connects
- Switch replication
- Opto-electronic equipment
- MUX and DEMUX equipment
- Mass server consolidation EoR, MoR

KEY BENEFITS

- ✓ **Integrated shutter**
- ✓ **Optimum panel packing density**

SN[®] ADAPTER

Standard, shuttered, 1-channel (2F) and 4-channel (8F)

SN[®] ADAPTER DATA SHEET**Mechanical Data**

	Value
Durability	500 matings per TIA-568
Fixing Method	Snap-fit (<i>adapter without flange</i>) or screw and nut (<i>adapter with flange</i>)
Housing Material Type	Plastic
Shutter Material Type	Metal stainless steel
Sleeve Material	Zirconia
Dust Protection Method	Integrated shutter mechanism (<i>operated by connector insertion</i>)

Optical Data

	Value
Typical Insertion Loss (dB)*	0.10
Max. Insertion Loss (dB)*	0.20

* Based on master grade jumper to low loss random mating test

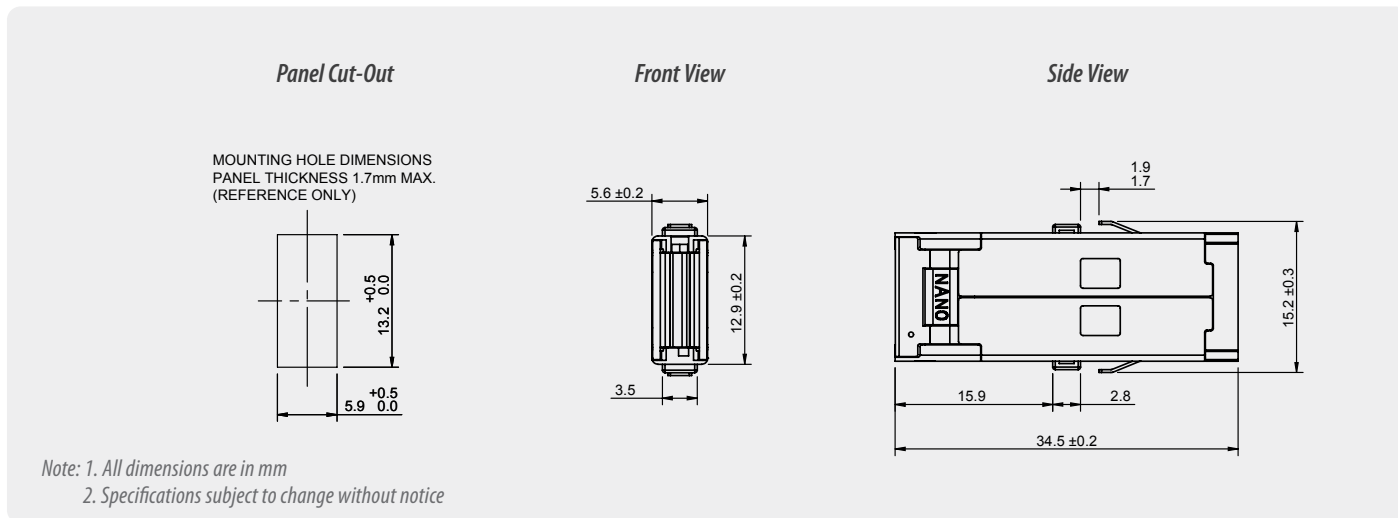
Environmental Data

	Value
Operating Temperature	-40°C to +75°C
RoHS Compliance	2015/863 RoHS
REACH Compliance	Yes
Free of Halogen	Yes
Humidity Resistance	95%

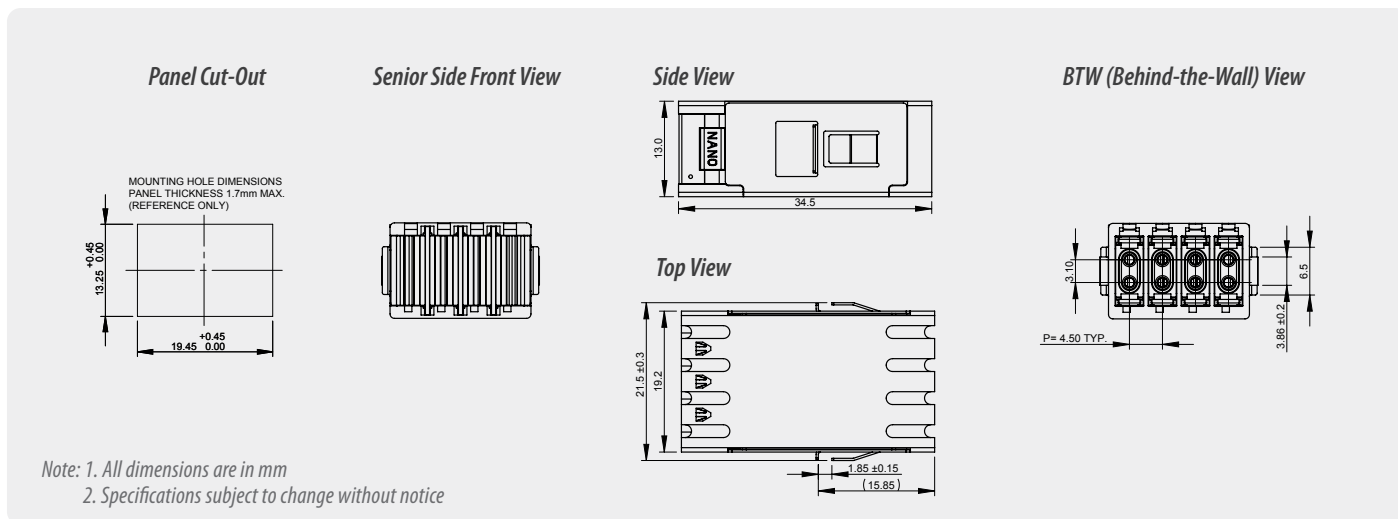
SN[®] ADAPTER

Standard, shuttered, 1-channel (2F) and 4-channel (8F)

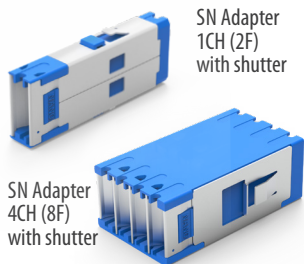
1-Channel Adapter Drawing



4-Channel Adapter Drawing



ORDERING



SN FOOTPRINT TYPE	FLANGE	HOUSING COLOR
69A SN 1-Channel (2F) Shuttered Adapter	1 With Flange	1 Blue (SM PC/UPC)
69D SN 4-Channel (8F) Shuttered Adapter	2 Without Flange	3 Green (SM APC)
		7 Heather Violet (MM OM4)
		9 Aqua (MM OM3)

69D - 17 ORDER CODE example

Note: Adapter supplied with protective dust-cap on both sides

SENKO[®]

Advanced Components

sales-americas@senko.com
1-858-623-3300

senko.com/contact