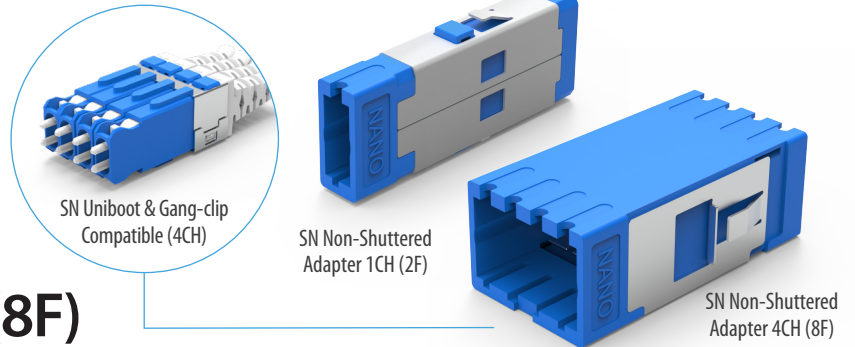


SN[®] ADAPTER Standard Non-Shuttered 1 (2F) and 4-Channel (8F)



SENKO's SN[®] non-shuttered adapters are available either as a 1-channel (2 fibers) or 4-channel variant (8 fibers). The single channel is designed for applications requiring the separation of individual optical channels such as coherent optics or wave-splitting. The 4-channel version is designed to maximize port density within patch panels.

This adapter is slightly smaller than the shuttered version. Having the same footprint size as QSFP-DD transceivers, operators can now replicate switch-ports with inter-connected patch panels on a 1:1 basis. Due to its compact size, the SN[®] 4-channel adapter allows users to achieve the highest possible density within patch panels and optical distribution frames. Up to 432 fibers can be presented in a single 1RU (Rack Unit) subject to cable management and connector-access limitations.

All of SENKO's SN[®] adapters are designed either to be snapped into panel cut-outs or screwed into place using an appropriate bolt and nut. Adapters incorporating an integrated fixing flange will require additional space between each cut-out.

FEATURES

- Premium one-piece body design
- Up to 432 fibers per 1RU (Rack Unit)
- Same footprint as QSFP-DD transceiver
- Accepts SN[®] standard and junior connectors
- Supports 200G/400G VSFF connectivity
- Color coded for rapid identification of fiber-type
- Telcordia, ANSI, TIA and IEC Compliant
- Identification marking for fast and simple connector alignment

APPLICATIONS

- High-density patch panels
- Spine/Leaf architectures
- Switch replication
- Opto-electronic equipment
- WDM equipment
- MUX and DEMUX equipment
- Mass server consolidation EoR, MoR

KEY BENEFITS

- ✓ OSFP-DD footprint
- ✓ Optimum panel packing density

SN[®] ADAPTER

Standard, non-shuttered, 1-channel (2F) and 4-channel (8F)

SN[®] ADAPTER DATA SHEET**Mechanical Data**

| Mechanical Data | Value |
|-----------------------------|--|
| Durability | 500 matings per TIA-568 |
| Fixing Method | Snap-fit (<i>adapter without flange</i>) or screw and nut (<i>adapter with flange</i>) |
| Housing Material Type | Plastic |
| Fixing Spring Material Type | Metal stainless steel |
| Sleeve Material | Zirconia |
| Dust Protection Method | Removable dust plugs |

Optical Data

| Optical Data | Value |
|------------------------------|-------|
| Typical Insertion Loss (dB)* | 0.10 |
| Max. Insertion Loss (dB)* | 0.20 |

* Based on master grade jumper to low loss random mating test

Environmental Data

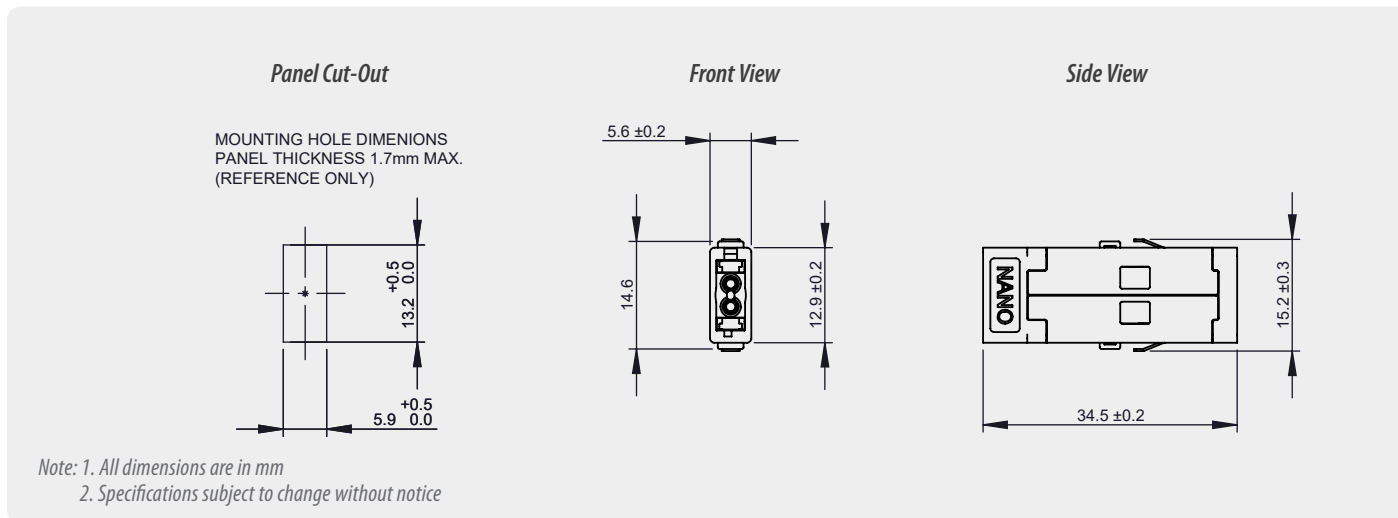
| Environmental Data | Value |
|-----------------------|----------------|
| Operating Temperature | -40°C to +75°C |
| RoHS Compliance | 2015/863 RoHS |
| REACH Compliance | Yes |
| Free of Halogen | Yes |
| Humidity Resistance | 95% |

SN[®] ADAPTER

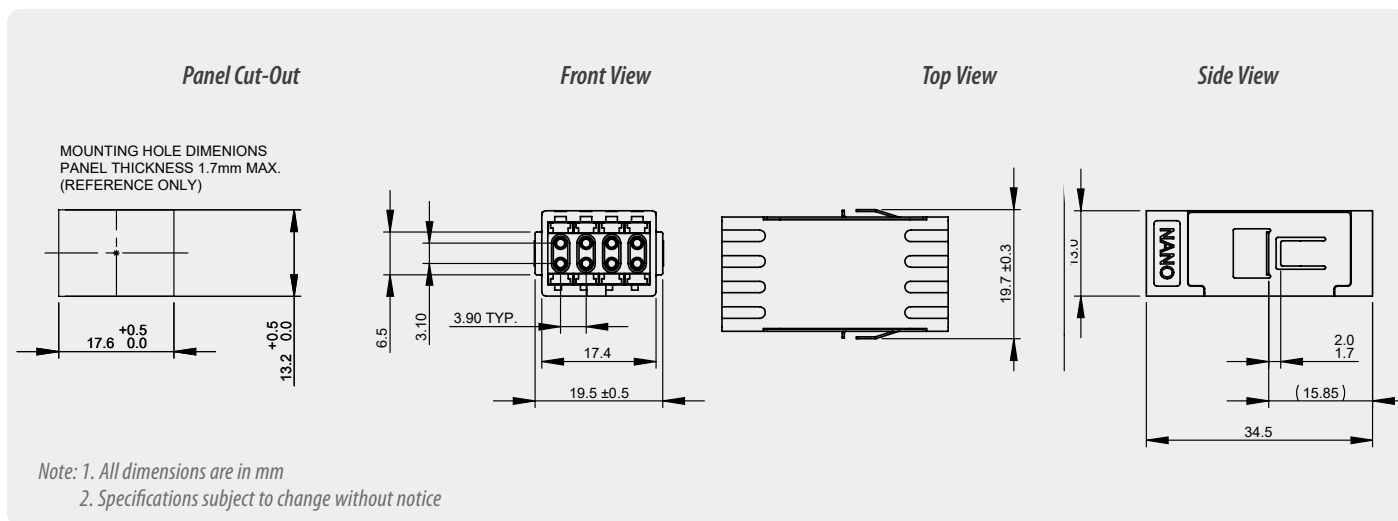
Standard, non-shuttered, 1-channel (2F) and 4-channel (8F)

SN ADAPTER DATA SHEET

1-Channel Adapter Drawing



4-Channel Adapter Drawing



ORDERING

SN Adapter 1CH (4F)

SN Adapter 4CH (8F)

| SN FOOTPRINT TYPE | | FLANGE | | HOUSING COLOR | |
|-------------------|---|--------|----------------|---------------|-------------------------|
| 691 | SN 1-Channel (2F) Non-Shuttered Adapter | 1 | With Flange | 1 | Blue (SM PC/UPC) |
| 694 | SN 4-Channel (8F) Non-Shuttered Adapter | 2 | Without Flange | 3 | Green (SM APC) |
| | | | | 7 | Heather Violet (MM OM4) |
| | | | | 9 | Aqua (MM OM3) |

691 - 17 ORDER CODE example

Note: Adapter supplied with protective dust-cap on both sides

SENKO[®]

Advanced Components

sales@senko.com
1-858-623-3300

senko.com/contact