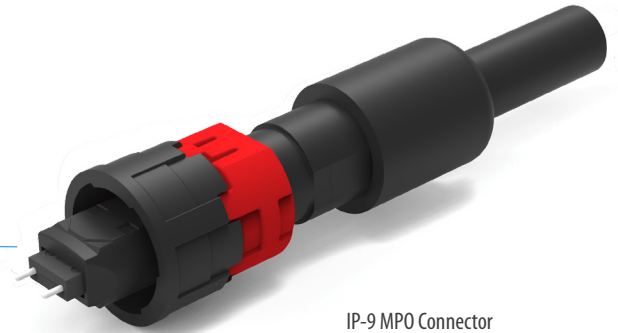




## IP-9 MPO SERIES

### Connector Bulkhead and Inline Adapter



The compact SENKO IP-9 connector series boasts a sturdy design within a small 20 mm OD housing. Using a patented “Safe Lock Ring” technology and bayonet mating mechanism, this connector offers a secure and visually-assured connection. Its IP68 rated housing makes it ideal for harsh environmental applications, including FTTA and FTTH deployments. When integrated into pre-terminated solutions, the IP-9 connector guarantees maximum performance and repeatability across the network.

Combining IP-9 connectors with bulkhead adapters allows for quick “plug & play” deployment of pre-terminated closures and drop cables in the field.

The IP-9 MPO connector houses a 12 or 24 fiber MT ferrule, which makes the multi-fiber connection quick and reliable, yet easy to handle as traditional MPO connectors.

#### FEATURES

- IP68 rated hardened connector
- Small Footprint for space saving
- Lightweight, yet rugged plastic body
- Bayonet lock with patented Safe Lock Ring
- UV resistance for outdoor applications
- 100lbs superior pull force
- Easy and quick termination
- 12/24 fiber options available
- Compatible with 3.0-5. 5mm OD cable

#### APPLICATIONS

- FTTx, FTTH, FTTA
- Broadcast
- Military
- Industrial
- Transport
- Renewable energy

#### KEY BENEFITS

- ✓ **Small footprint multi-fiber connector**
- ✓ **IP68 robust housing**
- ✓ **100lbs pull force**

**IP-9 MPO SERIES****Connector, bulkhead and inline adapter**

HARSH ENVIRONMENT SERIES DATA SHEET

**Mechanical Data**

	Value
Flex	0°/+90°/-90° for 8 cycles
Proof	100 lbf or 450 N for 120 seconds
TWAL	0°/90° for 30 minutes
Durability	50 matings
Impact	5-foot drop
Fiber Count	Multi-fiber (12/24 fibers)
Cable Suitability	3.0 - 5.5 mm round

**Optical Data**

	Singlemode		Multimode	
	APC		MM	
	Low Loss	Standard	Low Loss	Standard
Typical Insertion Loss (dB)* 12-fiber	0.10	0.20	0.08	0.15
Max. Insertion Loss (dB)* 12-fiber	0.25	0.70	0.25	0.50
Typical Return Loss (dB)* 24-fiber	0.15	0.25	0.15	0.20
Max. Insertion Loss (dB)* 24-fiber	0.35	1.00	0.35	0.50
Typical Return Loss (dB)*	≥60		≥25	

\* Based on master grade jumper to low loss random mating test

**Environmental Data**

	Value
IP Rating*	IP68
Operating Temperature (C)	-40°C to +75°C
UV Resistance	Yes
RoHS Compliance	2015/863 RoHS
REACH Compliance	Yes

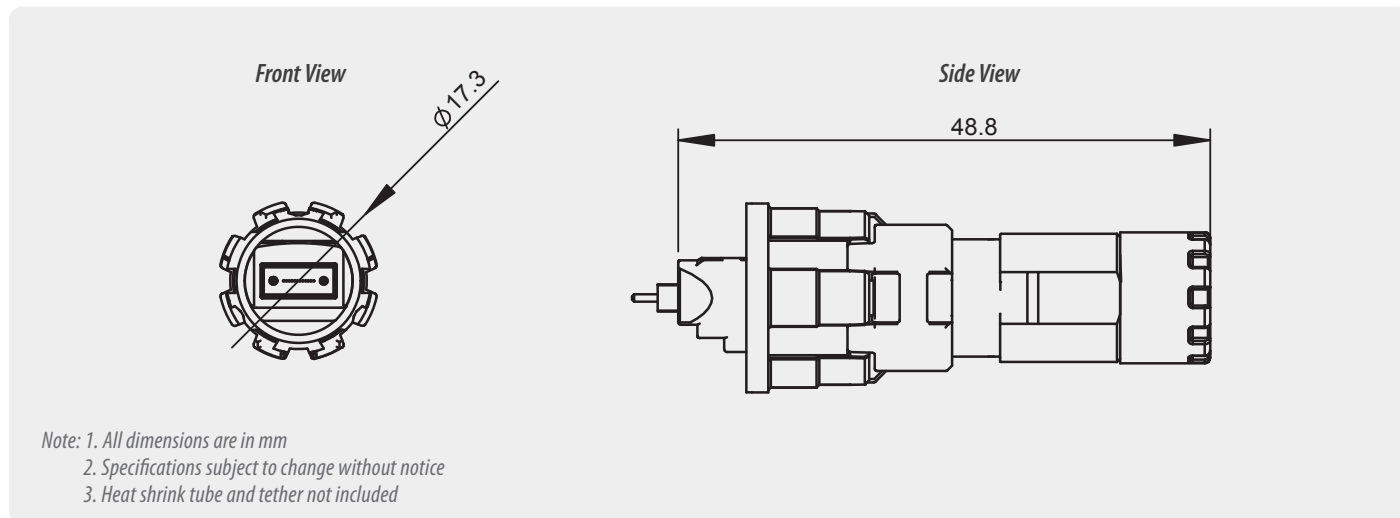
\* The IP rating was validated using a SENKO sourced cable and termination procedure. It is recommended to retest IP rating for any other cable types.

# IP-9 MPO SERIES

## Connector

HARSH ENVIRONMENT SERIES DATA SHEET

### Connector Drawing



### ORDERING



CODE	CONNECTOR TYPE	PERFORMANCE	FIBER COUNT	CABLE SIZE	IP DUST CAP					
IP09C4	MF	MPO Female	1	SM Standard	12	12 Fiber	3.0	3.0-3.2 mm	D	With Dust Cap
	MM	MPO Male	2	MM Standard	24	24 Fiber	4.5	4.3-4.6 mm		
			3	SM Low Loss			4.8	4.7-4.9 mm		
			4	MM Low Loss			5.5	5.0-5.5 mm		

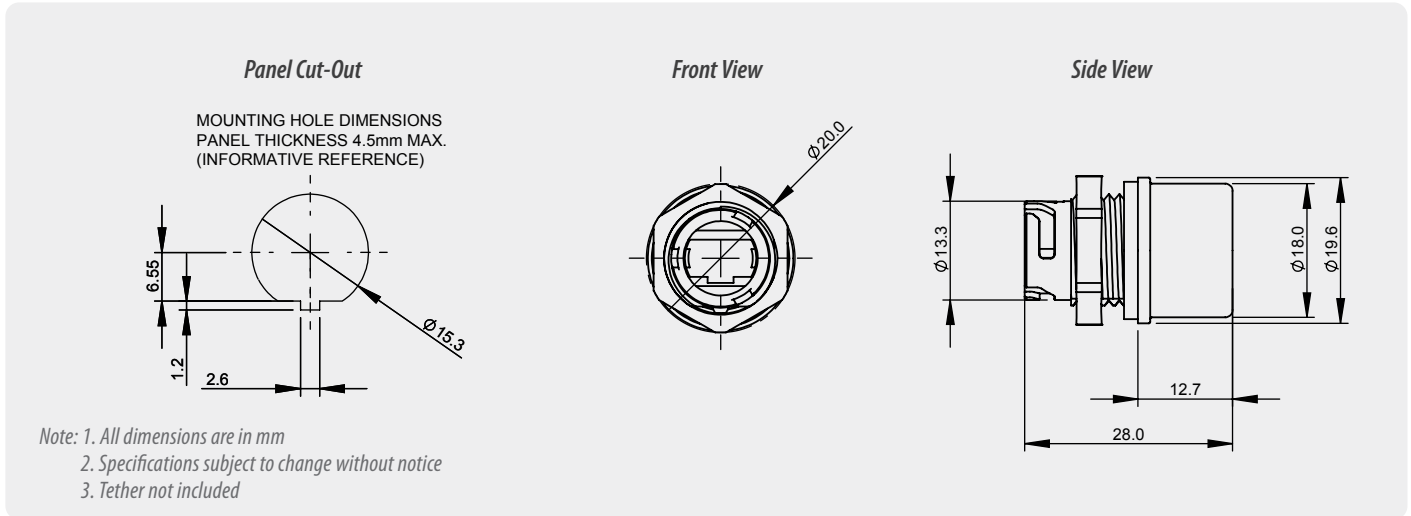
IP09C4 - MF112 - 3.0 - D ORDER CODE example

**IP-9 MPO SERIES**

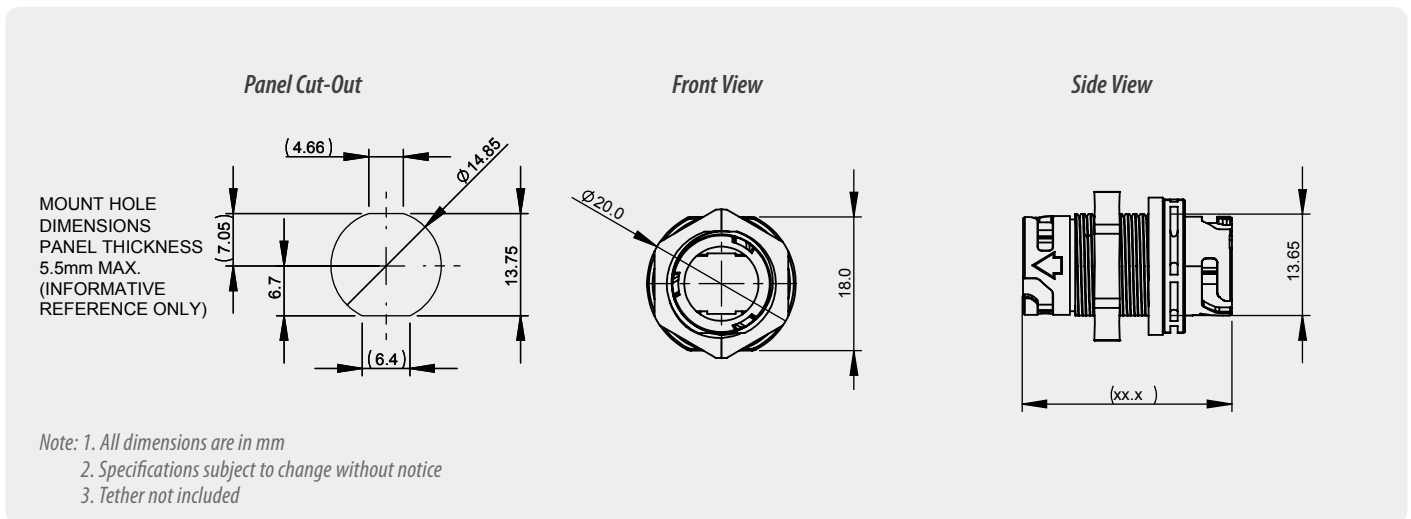
**Bulkhead and inline adapter**

HARSH ENVIRONMENT SERIES DATA SHEET

**Bulkhead Adapter Drawing**



**Inline Adapter Drawing**



**ORDERING**



IP-9 MPO Bulkhead Adapter

CODE	ADAPTER TYPE	TYPE	PORT	LOCK RING	IP DUST CAP
IP09	AB1 Bulkhead Adapter	MP MPO Adapter	1 1 Port	00 With Lock Ring and Gasket	D With Dust Cap



IP-9 MPO Inline Adapter

CODE	ADAPTER TYPE	TYPE	PORT	LOCK RING	IP DUST CAP
IP09	AL1 Inline Adapter	MP MPO Adapter	1 1 Port	00 With Lock Ring and Gasket	D With Dust Cap
				NN Without Lock Ring and Gasket	DD With Two Dust Caps

IP09AL1 - MP1NN - D ORDER CODE example

**IP-9 MPO SERIES**


## Accessories

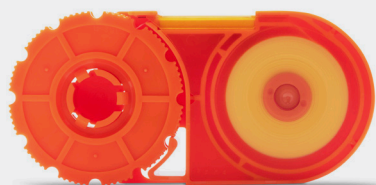
HARSH ENVIRONMENT SERIES DATA SHEET

**Accessories - Production/Cleaning**

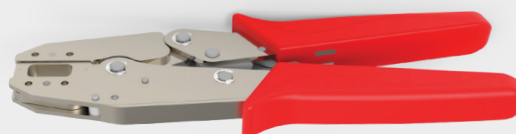
**Smart Cleaner**   
IP-9 MPO  
PN: SCK-SS-IP9MPO



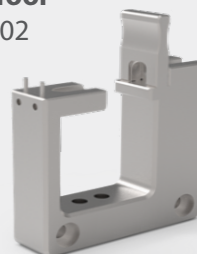
**Smart Cleaner**   
Cassette  
PN: SCK-CC-100



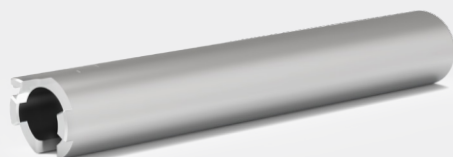
**IP-9 Crimping Fixture**  
PN: CRT-IP9-01



**IP-9 Crimp Tool**  
PN: AST-IP9-02

**Accessories - Installation**

**IP-9 Installation Tool**  
PN: IP09-INS-01



**IP-9 Port Blocker**  
PN: IP09PB1-01



# SENKO<sup>®</sup>

Advanced Components

[sales@senko.com](mailto:sales@senko.com)  
1-858-623-3300

[senko.com/contact](https://senko.com/contact)