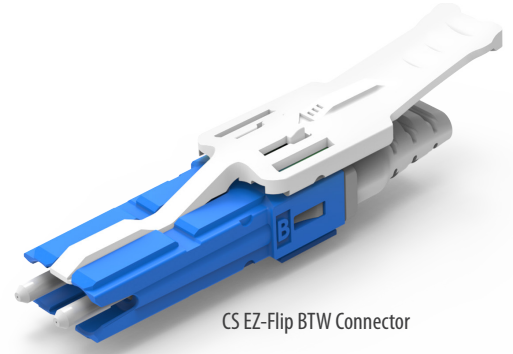


CS[®] EZ-FLIP BTW CONNECTOR **1-Channel (2F)** **BTW (Behind The Wall)**



The CS[®] EZ Flip connector designed for up to 900 µm cable is the ideal option for modular cassettes or splicing panels requiring a shorter connector length, especially for installations behind the wall (BTW). The benefit of this reduced connector length is that it enables hardware providers to decrease the overall depth of their equipment, thereby creating more space for efficient cable management, splice protectors, and other passive devices. By utilizing the CS[®] connector, these hardware providers can maximize their use of available space and improve the overall organization and management of cables and other components.

The CS[®] EZ Flip connector allows technicians to switch polarity in the field without disrupting fibers or repositioning ferrules. With its unique orientation of angled ferrules, the EZ-Flip connector can flip polarity even with APC connectors.

The compact pull tab located at the rear of the connector offers users convenient access to the connector, even in dense patch panels or areas where there is limited finger access space.

FEATURES

- Meets IEC random mating Grade B
- Robust design
- Reduced connector/boot length
- Single boot for 2 x 600/900 µm buffered fibers
- UPC and APC versions available
- Proven LC ferrule technology
- Extra small for space-limited applications
- Integrated pull-tab for improved access

APPLICATIONS

- Pigtail splicing modules and panels
- MPO/CS[®] transition modules
- Patching modules and patch panels
- High-density cross connects
- High-density zone distribution
- Central office/head-end ODF
- Hydra assemblies

KEY BENEFITS

- ✓ **Reduced connector length**

Mechanical Data

	Value
Durability	500 matings per TIA-568
Fiber Count	Duplex (2 fibers)
Cable Suitability	2 x 600/900 μm buffered fibers
Ferrule Material	Zirconia
Dust Protection Method	Removable dust plugs that encapsulate the ferrules

Optical Data

	Singlemode				Multimode
	UPC		APC		MM
	SM Premium Low Loss	SM Premium	SM Premium Low Loss	SM Premium	Premium
Typical Insertion Loss (dB)*	0.05	0.08	0.07	0.12	0.05
Max. Insertion Loss (dB)*	0.15	0.20	0.15	0.25	0.15
Typical Return Loss (dB)*	≥55		≥65		≥25
Ferrule (μm)	125.5				127

* Based on master grade jumper to low loss random mating test

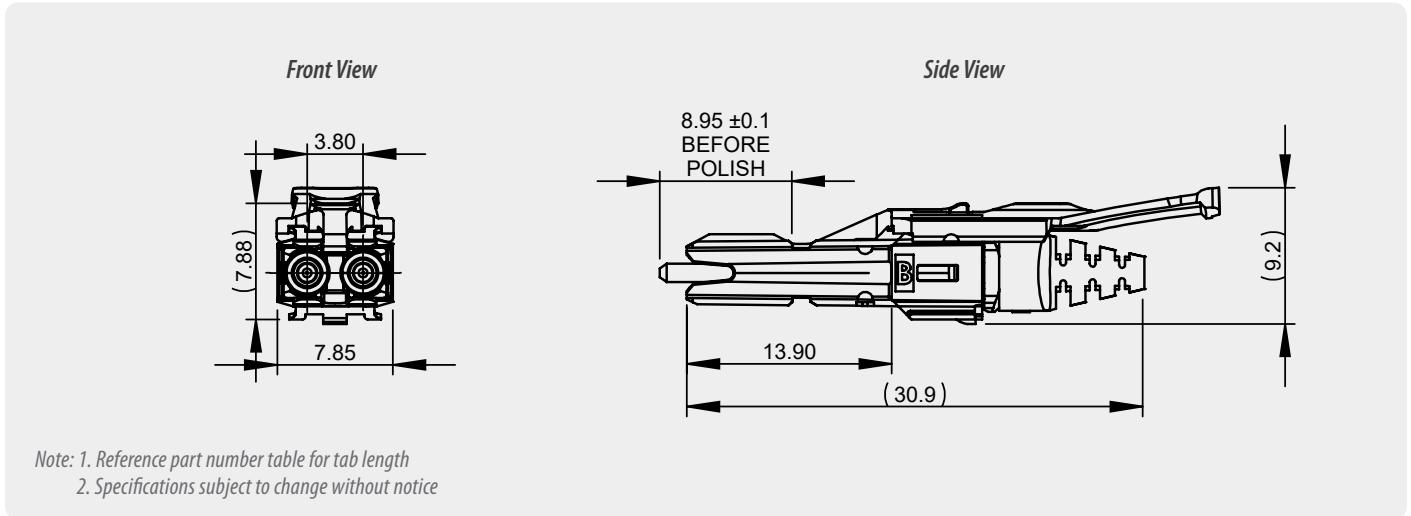
Environmental Data

	Value
Operating Temperature	-40°C to +75°C
RoHS Compliance	2015/863 RoHS
REACH Compliance	Yes
Free of Halogen	Yes
Humidity Resistance	95%

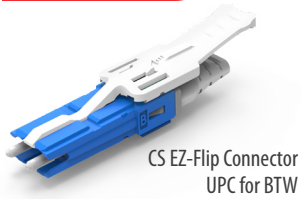
CS® EZ-FLIP BTW CONNECTOR

1-channel (2F)

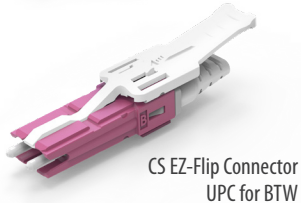
1-Channel Connector Drawing



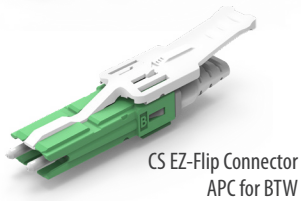
ORDERING



CONNECTOR TYPE	PERFORMANCE	HOUSING COLOR	BOOT TYPE	BOOT COLOR	TAB LENGTH	TAB COLOR
6E4 CS EZ-Flip UPC Connector Preassembled for up to 900 µm Cable	151 SM Premium	1 Blue	1 900 µm BTW	1 White	36 36 mm	W White
	158 SM Premium Low Loss	5 Aqua				
	251 MM Premium	6 Heather Violet				



CONNECTOR TYPE	PERFORMANCE	HOUSING COLOR	BOOT TYPE	BOOT COLOR	TAB LENGTH	TAB COLOR
6F4 CS EZ-Flip UPC Connector Unassembled Kit for up to 900 µm Cable	151 SM Premium	1 Blue	1 900 µm BTW	1 White	36 36 mm	W White
	158 SM Premium Low Loss	5 Aqua				
	251 MM Premium	6 Heather Violet				



CONNECTOR TYPE	PERFORMANCE	HOUSING COLOR	BOOT TYPE	BOOT COLOR	TAB LENGTH	TAB COLOR
6H4 CS EZ-Flip APC Connector Unassembled Kit for up to 900 µm Cable	153 APC Premium	3 Green (APC)	1 900 µm BTW	1 White	36 36 mm	W White
	158 APC Premium Low Loss			6 Green		

6H4 - 153 - 311 - 36W ORDER CODE example

Note: Preassembled version is currently offered only in UPC configuration.

SENKO[®]

Advanced Components

sales-americas@senko.com
1-858-623-3300

senko.com/contact