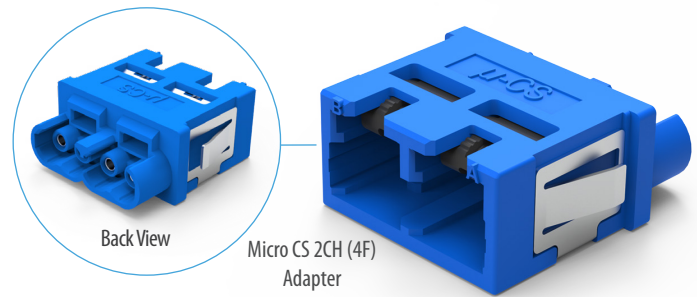


Micro CS[®] ADAPTER **Non-Shuttered** **2-Channel (4F)**



SENKO's 2-Channel (4f), non-shuttered, Micro CS[®] adapter is designed to provide maximum packing density at the front of patch panels while significantly reducing the space consumption at the rear of the panel for BTW (Behind The Wall) connectivity. Combined with Micro CS[®] connectors, as much as 20 mm can be saved compared with standard adapters and connectors, making it the ideal solution for optoelectronic applications requiring circuit boards or other vital components to share the same space as fiber optic connectivity.

Offering exceptional flexibility, the 2-channel adapter can be mounted horizontally or vertically, allowing for many patch panel configurations. This versatility facilitates different density levels, ranging from an impressive 144 fibers per 1RU to an even more remarkable 288 fibers per 1RU. This density is twice that of traditional LC-based patch panels.

It's worth noting that this CS[®] adapter cannot be retro-fitted into standard SC/LC cut-outs. Instead, it requires a special aperture for installation. To secure the adapter in place, a metal spring clip is utilized, while large apertures on the upper face of the adapter indicate the correct key alignment for connector insertion.

FEATURES

- Premium one-piece body design
- Up to 360 fibers per 1RU
- Integrated shutter reduces impact of dust and dirt ingress
- Accepts CS[®] standard and junior connectors
- Supports 200G/400G VSFF connectivity
- Color-coded for rapid identification of fiber-type
- Telcordia, ANSI, TIA and IEC compliant
- Identification aperture for fast and simple connector alignment

APPLICATIONS

- High-density patch panels
- LGX patching modules
- MPO-CS[®] transition modules and panels
- Opto-electronic equipment
- WDM equipment
- MUX and DEMUX equipment
- Mass server consolidation EoR, MoR

KEY BENEFITS

- ✓ **Maximum BTW space-saving**

Mechanical Data

	Value
Durability	500 matings per TIA-568
Fixing Method	Snap-fit (<i>adapter without flange</i>) or screw and nut (<i>adapter with flange</i>)
Housing Material Type	Plastic
Fixing Spring Material Type	Metal stainless steel
Sleeve Material	Zirconia
Dust Protection Method	Removable dust plugs

Optical Data

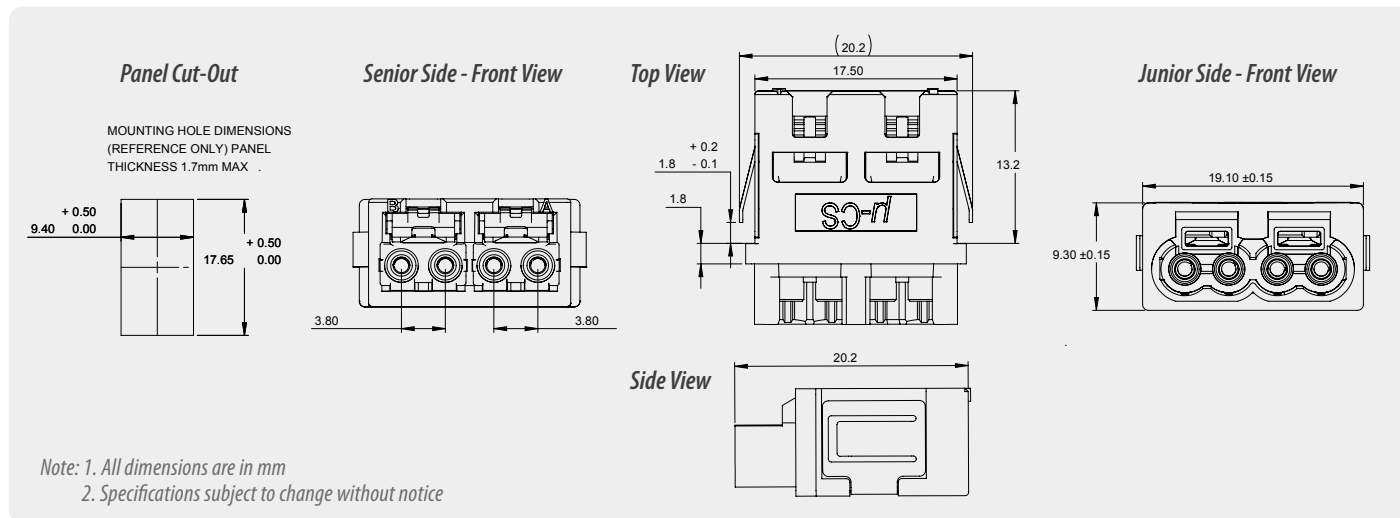
	Value
Typical Insertion Loss (dB)*	0.10
Max. Insertion Loss (dB)*	0.20

* Based on master grade jumper to low loss random mating test

Environmental Data

	Value
Operating Temperature	-40°C to +75°C
RoHS Compliance	2015/863 RoHS
REACH Compliance	Yes
Free of Halogen	Yes
Humidity Resistance	95%

4-Channel Adapter Drawing



ORDERING



Micro CS (4F)
2-Channel Adapter

ADAPTER TYPE		FLANGE	HOUSING COLOR
682U	μCS 2-Channel (4F) Adapter	1 With Flange	1 Blue
		2 Without Flange	7 Heather Violet
			9 Aqua

682U - **11** ORDER CODE example

Note: Adapter supplied with protective dust-cap on both sides

SENKO[®]

Advanced Components

sales@senko.com
1-858-623-3300

senko.com/contact