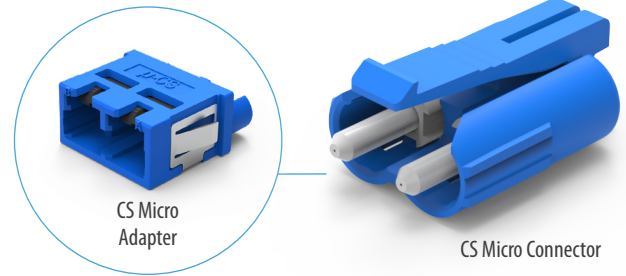


Micro CS[®] **CONNECTOR** **1-Channel (2F)** **BTW (Behind The Wall)**



The Micro CS[®] connector is the most compact option within the CS[®] connector family, delivering an optimal solution for space-saving requirements, particularly in BTW (Behind The Wall) applications. When used with Micro CS[®] adapters, it enables significant space reduction of up to 22.5 mm compared to standard adapters and connectors. This makes it an ideal choice for optoelectronic applications where sharing BTW space with fiber optic connectivity is crucial, allowing circuit boards and other essential components to coexist efficiently.

The Micro CS[®] connector follows a duplex design that combines two spring-loaded 1.25 mm ceramic ferrules within a single miniature structure. The upper face of the connector features a latch-locking mechanism, ensuring secure engagement with the adapter. Moreover, users benefit from an audible click, providing reassurance of a properly secured connection.

FEATURES

- Meets IEC random mating Grade B
- Robust design
- Reduced connector/boot length
- Single boot for 2 x 600/900 μm buffered fibers
- UPC and APC versions available
- Proven LC ferrule technology
- Extra small for space-limited applications
- Integrated pull-tab for improved access

APPLICATIONS

- Pigtail splicing modules and panels
- MPO/CS[®] transition modules
- Patching modules and patch panels
- High-density cross connects
- High-density zone distribution
- Central office/head-end ODF
- Hydra assemblies

KEY BENEFITS

- ✓ **Reduced connector length**

Mechanical Data

	Value
Durability	500 matings per TIA-568
Fiber Count	Duplex (2 fibers)
Cable Suitability	2 x 600/900 μ m buffered fibers
Ferrule Material	Zirconia
Dust Protection Method	Removable dust plugs that encapsulate the ferrules

Optical Data

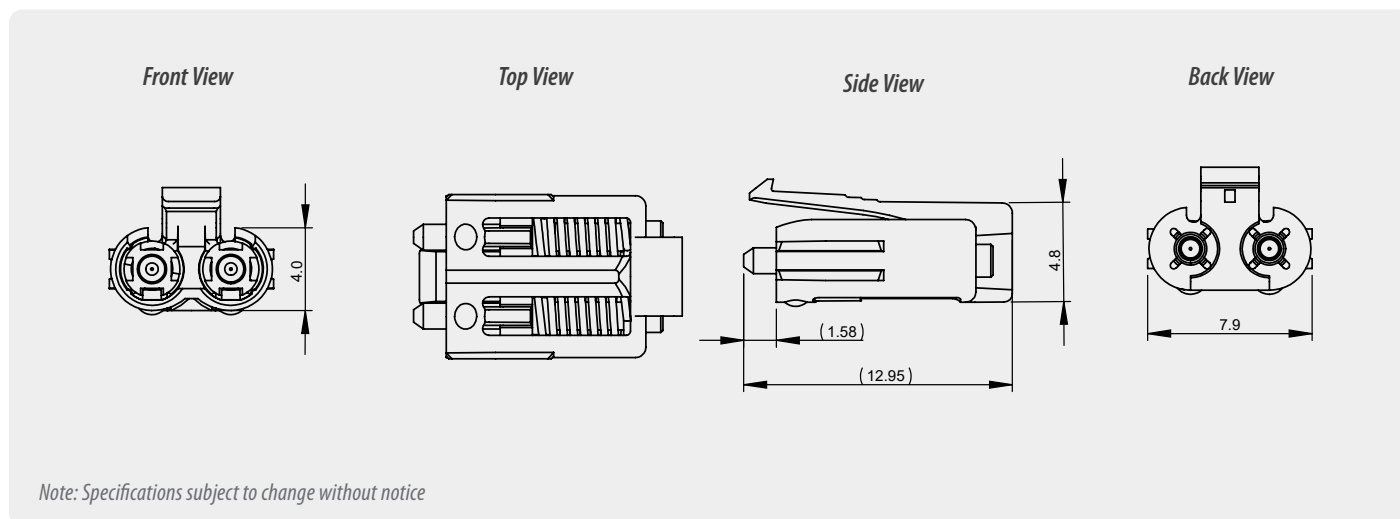
	Singlemode		Multimode
	UPC		MM
	SM Premium Low Loss	SM Premium	Premium
Typical Insertion Loss (dB)*	0.05	0.08	0.05
Max. Insertion Loss (dB)*	0.15	0.20	0.15
Typical Return Loss (dB)*	≥ 55	≥ 65	≥ 25
Ferrule (μ m)	125.5		127

* Based on master grade jumper to low loss random mating test

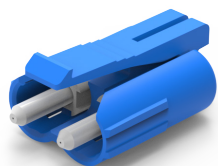
Environmental Data

	Value
Operating Temperature	-40°C to +75°C
RoHS Compliance	2015/863 RoHS
REACH Compliance	Yes
Free of Halogen	Yes
Humidity Resistance	95%

1-Channel Connector Drawing



ORDERING



Micro
UPC Connector

CONNECTOR TYPE		PERFORMANCE		HOUSING COLOR	
60B	Micro 1-Channel (2F) UPC Connector	151	SM Premium	1	Blue
		251	MM Premium	5	Aqua
				6	Heather Violet
				7	Lime Green

SENKO[®]

Advanced Components

sales-americas@senko.com
1-858-623-3300

senko.com/contact