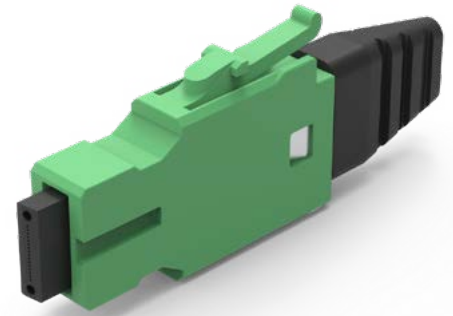


SN[®]-MT16 **JUNIOR CONNECTOR** Multi-fiber (16f), 200 μm Single Row, BTW (Behind The Wall)



SN-MT16 Junior Connector

The SN[®]-MT16 Junior connector is designed for applications that require less space consumption BTW (Behind The Wall) than conventional cable-based connectors. With a much shorter body length and boot length than conventional connectors, the SN[®]-MT16 Junior offers users the chance to reduce the depth of cassettes and modules as well as free up valuable space within fiber management panels for additional hardware such as coherent devices or electronic equipment.

The SN[®]-MT16 Junior connector has a latch on the upper side of the connector that provides an audible click when it is plugged into an adapter. At the rear of the connector is a boot that will accept 16-fiber ribbon with a 200 μm construction. Junior connectors are most commonly used for applications such as high fiber-count ribbon splicing or optoelectronic applications where additional space is required BTW.

The SN[®]-MT16 Junior connector is compatible with standard SN[®]-MT adapters.

FEATURES

- Compatible with 200 μm rollable ribbon cables
- Upper latch mechanism with an audible click
- Reduced connector/boot length
- Low-loss, compact SN-MT ferrule
- 2.7 x denser than MPO16 per 1RU
- 1.3 x denser than MPO32 per 1RU
- Max. Insertion loss 0.35 dB
- No special adapter required

APPLICATIONS

- High-density ribbon splicing
- Pre-terminated fiber-management
- Co-packaged optics
- Coherent optics
- Optoelectronic equipment panels

KEY BENEFITS

- ✓ **2.7 x denser than MPO**
- ✓ **High fiber-count ribbon splicing**

Mechanical Data

	Value
Durability	50 matings per GR-1435-Core
Fiber Count	Multi-fiber (16 Fibers)
Cable Suitability	16-fiber, 200 μm ribbon
Ferrule Material	Polymer
Dust Protection Method	Removable dust plugs that encapsulate the ferrules

Optical Data

	Singlemode	Multimode
	APC	MM (APC)
	SM Premium Low Loss	Premium
Typical Insertion Loss (dB)*	0.15	0.15
Max. Insertion Loss (dB)*	0.35	0.35
Typical Return Loss (dB)*	≥60	≥45
Ferrule Diameter (μm)	SN-MT ferrule 16-fiber, 200 μm in a single row	

* Specifications provided are target only based on master grade jumper to low loss random mating test

Environmental Data

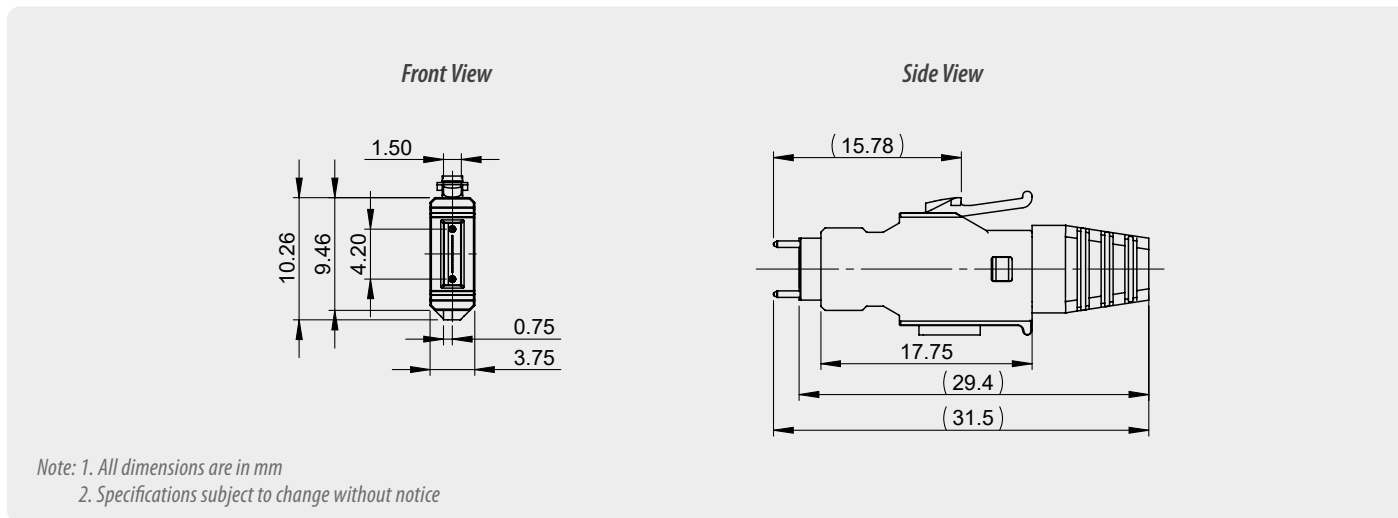
	Value
Operating Temperature	-40°C to +75°C
RoHS Compliance	2015/863 RoHS
REACH Compliance	Yes
Free of Halogen	Yes
Humidity Resistance	95%

SN[®]-MT16 JUNIOR CONNECTOR

Multi-fiber (16f), 200 μm, single row

SN-MT CONNECTOR DATA SHEET

SN[®]-MT16 Junior Standard Drawing



ORDERING



SN-MT16
SM Junior Connector
APC for 16-fiber 200 μm ribbon

CONNECTOR TYPE	GUIDE PIN GENER	PERFORMANCE	FIBER COUNT	HOUSING COLOR	BOOT TYPE	BOOT COLOR
643 SN-MT Junior Connector with Ferrule	M Male (With Pin)	SL SM Super Low Loss	08 8 Fiber	G Green	1 Bare Ribbon Fiber Boot	3 Black

Note: Connector supplied with protective dust-cap

Contact sales@senko.com
for availability and to learn more



SN-MT16
MM Junior Connector
APC for 16-fiber 200 μm ribbon

SENKO[®]

Advanced Components

sales@senko.com
1-858-623-3300

senko.com/contact