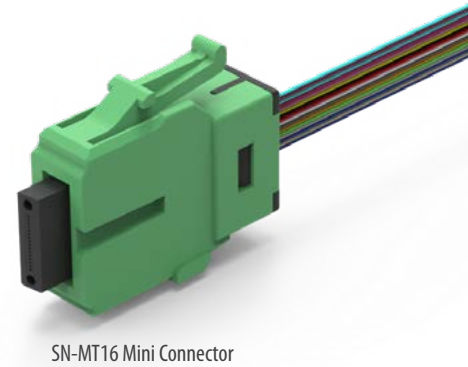


SN[®]-MT16 **MINI CONNECTOR** Multi-fiber (16f), 200 μm BTW (Behind The Wall)



The SN[®]-MT16 Mini connector is the shortest in the SN[®]-MT family and offers users the most space-efficient solution for applications demanding optimized BTW (Behind The Wall) space-saving. In combination with SN[®] Mini adapters, as much as 14.1mm can be saved compared with standard adapters and connectors, making it the ideal solution for optoelectronic applications requiring circuit boards or other vital components to share the same space as fiber optic connectivity.

The SN[®]-MT16 Mini connector has a latch on the upper side of the connector that provides an audible click when it is plugged into an adapter. At the rear of the connector is a boot that will accept 16-fiber ribbon with a 200 μm construction. Mini connectors are most commonly used for applications such as high fiber-count ribbon splicing or optoelectronic applications where additional space is required BTW.

The SN[®]-MT16 Mini connector is only compatible with SN[®]-MT Mini adapters.

FEATURES

- Compatible with 200 μm rollable ribbon cables
- Upper latch mechanism with an audible click
- Reduced connector/boot length
- Low-loss, compact SN[®]-MT ferrule
- 2.7x denser than MPO16 per 1RU
- 1.3x denser than MPO32 per 1RU
- Max. insertion loss 0.35dB for SM
- No special adapter required

APPLICATIONS

- High-density ribbon splicing
- Pre-terminated fiber-management
- Co-packaged optics
- Coherent optics
- Optoelectronic equipment panels

KEY BENEFITS

- ✓ **2.7 x denser than MPO**
- ✓ **High fiber-count ribbon splicing**

Mechanical Data

	Value
Durability	200 matings per GR-326-Core
Fiber Count	Multi-fiber (16 Fibers)
Cable Suitability	16-fiber, 200 μm ribbon
Ferrule Material	Polymer
Dust Protection Method	Removable dust plugs that encapsulate the ferrules

Optical Data

	Singlemode	Multimode
	SM	MM
	APC	APC
Typical Insertion Loss (dB)*	0.15	0.15
Max. Insertion Loss (dB)*	0.35	0.35
Typical Return Loss (dB)*	≥60	≥45
Ferrule Diameter (μm)	SN-MT ferrule 16-fiber, 200 μm in a single row	

* Based on master grade jumper to low loss random mating test

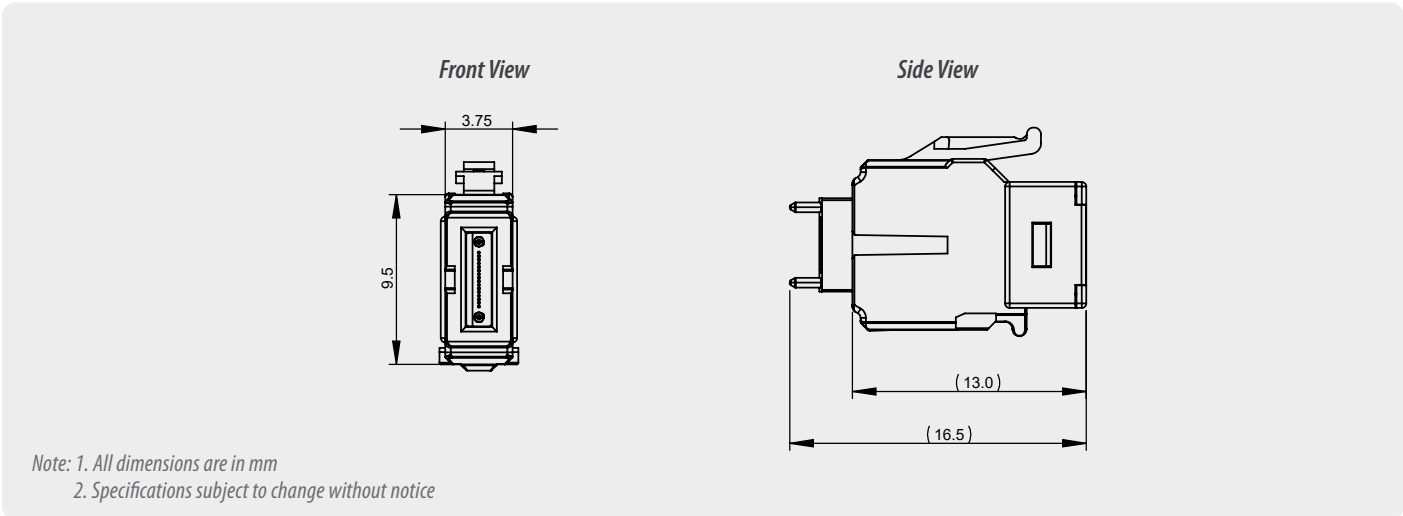
Environmental Data

	Value
Operating Temperature	-40°C to +75°C
RoHS Compliance	2015/863 RoHS
REACH Compliance	Yes
Free of Halogen	Yes
Humidity Resistance	95%

SN[®]-MT16 MINI CONNECTOR

Multi-fiber (16f), 200 μm, single row

SN[®]-MT16 Mini Standard Drawing



ORDERING



SN-MT16
SM Mini Connector
APC for 16-fiber 200 μm Ribbon

CONNECTOR TYPE		GUIDE PIN GENDER		PERFORMANCE		FIBER COUNT		HOUSING COLOR		BOOT COLOR	
647	SN-MT Mini Connector with Ferrule	F	Female (Without Pin)	SL	SM Super Low Loss	16	16 Fiber	G	SM Green	3	Black
		M	Male (With Pin)								
		G	With Changeable Keeper								

CONNECTOR TYPE		GUIDE PIN GENDER		PERFORMANCE		FIBER COUNT		HOUSING COLOR		BOOT COLOR	
xxx	SN-MT Mini Connector with Ferrule	F	Female (Without Pin)	ML	MM Low Loss	16	16 Fiber	B	MM Black	3	Black
		M	Male (With Pin)								
		G	With Changeable Keeper								

Note: Connector supplied with protective dust-cap

Contact sales@senko.com for availability and to learn more



SN-MT16
MM Mini Connector
APC for 16-fiber 200 μm Ribbon

SENKO[®]

Advanced Components

sales@senko.com
1-858-623-3300

senko.com/contact