

## **LC STANDARD 2PC CONNECTOR** 911/912/921/922 Series



LC Standard 2PC Connector

The SENKO LC Standard 2PC Connector is the pioneering two-piece design that provides a robust and straightforward solution for both factory and field settings. It supports Singlemode and Multimode fibers, offering low insertion loss and high return loss for a range of applications, including telecommunications and data centers. Its compact design is ideal for high-density applications and complies with IEC 61754-20 standards. Additionally, it represents excellent value for money, making it a cost-effective option for achieving reliable fiber optic connectivity.

Installation of the SENKO LC 2Pc Connector is streamlined due to its modular nature, enabling efficient termination of fiber optic cables in the field. This capability not only reduces downtime during maintenance but also supports rapid scalability and adaptation to evolving network demands. Overall, the connector's robust design, coupled with its performance capabilities and ease of installation, positions it as a practical choice for achieving reliable and efficient fiber optic connectivity in demanding operational environments.

### APPLICATIONS

- The original 2 piece LC design
  - Excellent value for cost
  - Pre-assembled and connector kits available
  - Precision 1.25 mm Ferrules for superior performance
  - Compact design for high density applications
  - Fully compliant to IEC 61754-20
  - User-friendly design for straightforward installation and maintenance
- Telecommunications
  - Data centers
  - Local area networks (LANs)
  - Fiber to the home (FTTH)
  - Enterprise networks
  - Medical equipment
  - Industrial applications
  - Military and aerospace
  - Broadcasting

### KEY BENEFITS

- ✓ **High density connectivity**
- ✓ **Cost effective solution**
- ✓ **Ease of use**
- ✓ **Durability and reliability**

## Mechanical Data

	Value
Durability	<0.2dB typical change, 500 matings
Fiber Count	Simplex / duplex (1 or 2 Fiber)
Cable Suitability	900 μm to 3 mm
Ferrule Material	Zirconia

## Optical Data

	Singlemode	Multimode
	UPC	MM
	Standard	
Typical Insertion Loss (dB)*	0.12	0.15
Max. Insertion Loss (dB)*	0.30	0.30
Typical Return Loss (dB)*	≥55	≥25
Ferrule Diameter (μm)	125.5	127

\* Based on master grade jumper to low loss random mating test

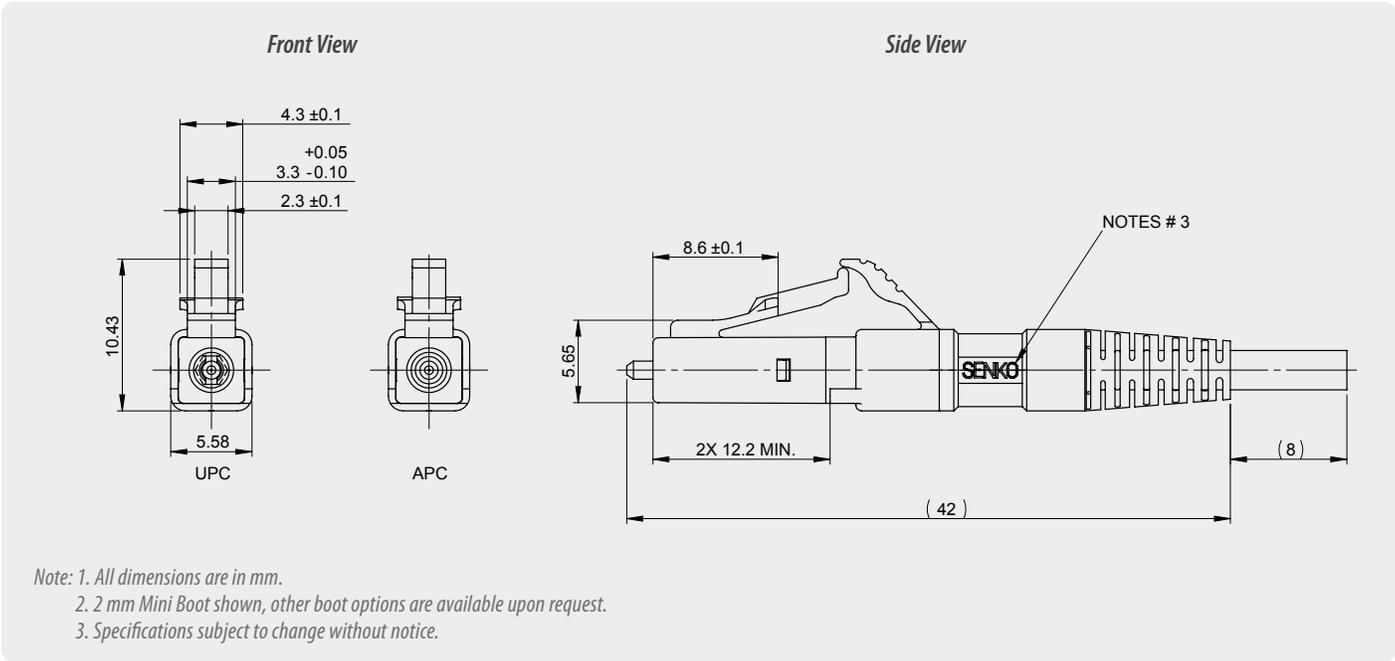
## Environmental Data

	Value
Operating Temperature	-40°C to +75°C
RoHS Compliance	Yes
REACH Compliance	Yes
Humidity Resistance	95%

# LC STANDARD 2PC CONNECTOR

## 911/912/921/922 Series

### Connector Drawing



### ORDERING



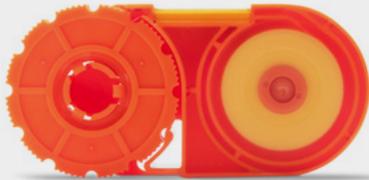
CONNECTOR	FERRULE TYPE	HOUSING	BOOT TYPE	BOOT COLOR
911 Preassembled Simplex	151 SM: Standard 125.5 μm	1 SM: Blue	B MINI Boot 900 μm	1 White
912 Preassembled Duplex	251 MM: Standard 127 μm	2 MM: Beige	C MINI Boot 2.0 mm	2 Blue
921 Kit Simplex		5 MM OM3: Aqua	D MINI Boot 3.0 mm	3 Black
922 Kit Duplex		6 MM OM4: Heather Violet	2 2.0 mm Original	4 Yellow
			6 3.0 mm Boot	5 Red



Note: Other ferrule ID size are available  
 SM 126 μm SM 125 μm MM 230 μm MM 144 μm

Accessories - Production/Cleaning

Smart Cleaner™  
Cassette  
PN: SCK-CC-100



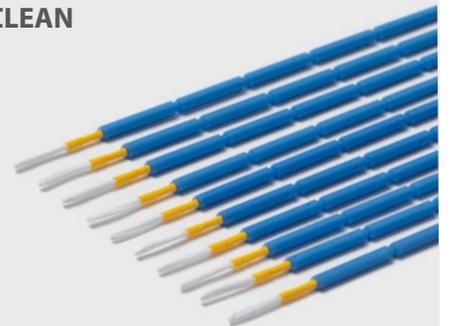
Smart Cleaner™  
Mini 1.25 mm Clicker  
PN: SCK-SS-M-C125  
Refill PN: SCK-SS-CS-R



Smart Cleaner™  
1.25 mm Clicker  
PN: SCK-SS-CS  
Refill PN: SCK-SS-CS-R



1.25 mm NEOCLEAN  
Cleaning Stick  
PN: CSK-01



Accessories - Interferometry

SUMIX Manta W+ Inspection Scope  
PN: SMX-Manta-W+



- Inspects 12 fiber in 2.6 seconds, 24 fiber in 4.5 seconds
- 0.5µm defect detection
- Inspection tips for MPO, CS, SN, LC available

SUMIX Max QM+ Inspection Scope  
PN: MAX-Quantum



- Inspects 12 fiber in 2.6 seconds, 24 fiber in 4.5 seconds
- 0.5µm defect detection

# SENKO<sup>®</sup>

Advanced Components

[sales@senko.com](mailto:sales@senko.com)  
1-858-623-3300

[senko.com/contact](https://senko.com/contact)