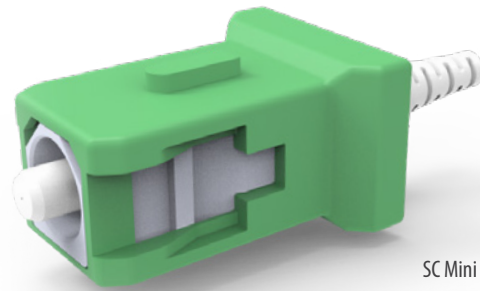


## **SC MINI CONNECTOR** **Low Profile** **25D, 25E, 25F Series**



SC Mini Connector

SENKO's SC Mini Connector, with its compact, low profile and high-performance design, is ideal for use in space-constrained applications due to its shortened length. It is commonly used in various settings such as within switching equipment, in wall-mounted boxes (OTB), or for panel/plate mounted (Behind The Wall, BTW) applications.

The SENKO SC Mini Connector is designed for use with a 900um buffered fiber and can be utilized either with or without the optional bend limiting boot. This flexibility allows it to adapt to various application requirements.

As with all the SENKO SC connector range, this version has been specifically designed and optimized to meet the most demanding of applications to give class leading low loss performance. It uses high quality components and keying features to achieve the best possible fiber to core-to-core alignment.

The SC Mini Connector has been designed to comply with IEC 61754-4 with a push-pull mechanism, 2.5 mm ferrules and can be configured to suit singlemode and multimode fiber.

### FEATURES

- Economical low profile compact design
- Springless BTW (Behind the Wall) connector
- Senko superior insertion and return loss.
- Designed to meet requirements of IEC 61754-4
- Push Pull coupling mechanism for repeatable and simple installation.
- Optional bend Limiting 900 µm bBoot
- Singlemode and multimode ferrules available

### APPLICATIONS

- High density equipment racks
- Wall mounted boxes – internal/external
- Breakout boxes –internal/external
- Telecommunications networks
- Data center networks
- Fiber to the Home

### KEY BENEFITS

- ✓ **Significant internal space savings**
- ✓ **High reliability and stability**
- ✓ **Industry leading low loss performance**

## Mechanical Data

	Value
Durability	500 matings per TIA-568.3
Fiber Count	Simplex (1 fiber)
Ferrule Material	Zirconia
Cable Suitability	900 µm Diameter

## Optical Data

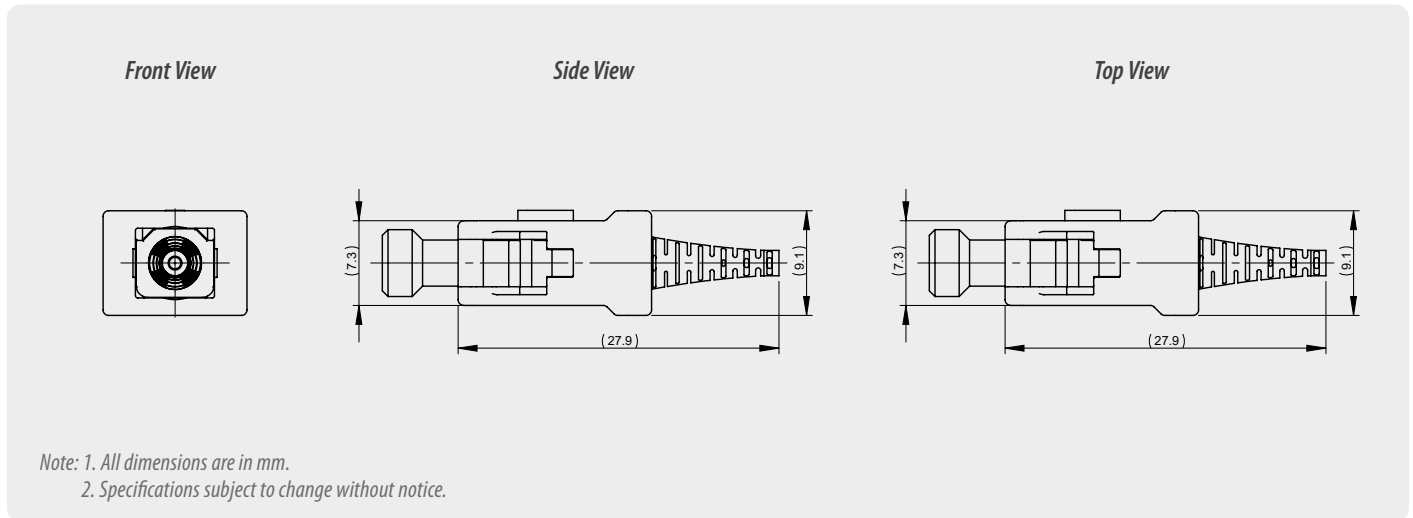
	Singlemode		Multimode
	UPC	APC	MM
	SM Standard	SM Standard	Standard
Typical Insertion Loss (dB)*	0.12	0.12	0.15
Max. Insertion Loss (dB)*	0.30	0.30	0.30
Typical Return Loss (dB)*	≥55	≥65	≥25
Ferrule Diameter (µm)	125		127
Operating Temperature	-40°C to +75°C		

\*IL against Master Jumper

## Environmental Data

	Value
Operating Temperature	-40°C to +75°C
RoHS Compliance	Yes
REACH Compliance	Yes
Humidity Resistance	95%

**Connector Drawing**



**ORDERING**

CONNECTOR	FERRULE TYPE	HOUSING	BOOT TYPE	BOOT COLOR
<b>25D</b> SC Low Profile UPC	<b>193</b> SM Premium 125 μm	<b>5</b> Aqua (OM3)	<b>J</b> Mini Boot 900 μm	<b>1</b> Blue
	<b>291</b> MM Premium 127 μm	<b>6</b> Blue	<b>N</b> No Boot	<b>2</b> Black
				<b>7</b> White
				<b>N</b> No Boot

SC Mini UPC Connector

ORDER CODE example: **25D** - **193** - **6** - **J** - **N**

CONNECTOR	FERRULE TYPE	POLISH	BOOT TYPE	BOOT COLOR
<b>25E</b> SC Low Profile APC Cone	<b>193</b> SM Premium 125 μm	<b>1</b> No Angle	<b>J</b> Mini Boot 900 μm	<b>1</b> Blue
<b>25F</b> SC Low Profile APC Step			<b>N</b> No Boot	<b>2</b> Black
				<b>7</b> White
				<b>N</b> No Boot

SC Mini APC Connector

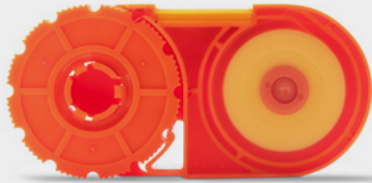
ORDER CODE example: **25F** - **193** - **1** - **J** - **7**

Accessories - Production/Cleaning

Smart Cleaner™

Cassette

PN: SCK-CC-100



Smart Cleaner™

2.5 mm Clicker

PN: SCK-SS-250

Refill PN: SCK-SS-250-R



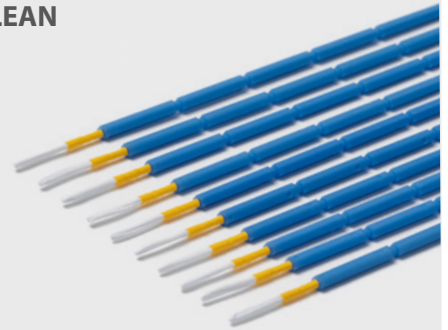
SC Crimp Tool

PN: CRT-401 SC, FC, ST One Piece Connectors  
CRT-501 SC Connector Kit 132 Series  
CRT-705 SC/LC 1.2 mm Connector



2.5 mm NEOCLEAN  
Cleaning Stick

PN: CSK-02



Accessories - Interferometry

SUMIX Max W+ Inspection Scope

PN: SMX-MANTA-W+



The MANTA W+ inspection scope is designed for high-performance inspection of all types of single fiber and multi-fiber optical connectors, patch cords and bulkheads. The MANTA HM inspection scope is used to detect scratches, contamination and other surface defects as small as 0.75 µm on the end face of the connector.

SUMIX Max QM+ Inspection Scope

PN: MAX-QM+



The MAX-QS+ is a white-light and phase-shift interferometer for inspection of single fiber ST, FC, SC, LC, CS, SN, E2000™ (PC and APC), small format multi-fiber MT-RJ (PC and APC), SMA and special connectors. MAX-QS+ features portable design, autofocus, 100 micron scan range for fiber height and resolution of 1.1 µm.

Contact sales@senko.com  
or visit our website for more details



# SENKO<sup>®</sup>

Advanced Components

[sales@senko.com](mailto:sales@senko.com)  
1-858-623-3300

[senko.com/contact](https://senko.com/contact)