

IP FANOUT KIT

S Type: 4.5-12.0 mm

M Type: 7.3-18.0 mm



The SENKO IP (Ingress Protection) Fanout Kit is the reliable solution that enables the fiber fanout assembly with IP68 rated small fanout body, which can be utilized in outside plant applications including the most harsh environments. The fanout body is sealed at factory for the reliable ingress protection performance. A variety of fanout drums provides the selection of fiber fanout configurations

With the increased demand of fiber optic to meet the growing demands for higher bandwidth, speed, and reliability, more scalable and cost-effective solution is the preferred choice for modern telecommunications infrastructure. This trend is expected to continue as data consumption and technological advancements progress.

FEATURES

- IP68 rated fanout body
- Factory sealed
- Lightweight, yet rugged plastic case
- UV resistance for outdoor applications
- 100 lbs superior pull force
- Easy and quick termination
- Compatible with 4.5-18.0 mm OD feeder cable
- Flexible port counts and tube size

APPLICATIONS

- FTTx - Telecom
- Wireless
- Military
- Industrial
- Transport
- Renewable energy

KEY BENEFITS

- ✓ **IP68 rated factory sealed case**
- ✓ **100 lbf pull force (feeder cable)**
- ✓ **Space saving miniature fanout closure**

IP FANOUT KIT

S type: 4.5-12.0mm and M type: 7.3-18.0mm

HARSH ENVIRONMENT SERIES DATA SHEET

Mechanical Data

	Value
Pull Force	100 lbf or 450 N (<i>feeder side</i>) 15 lbf or 66 N (<i>fan-out side</i>)
Mounting Method	Hose clip / cable tie
Feeder Cable Suitability	4.5-18.0 mm OD Round Cable

Environmental Data

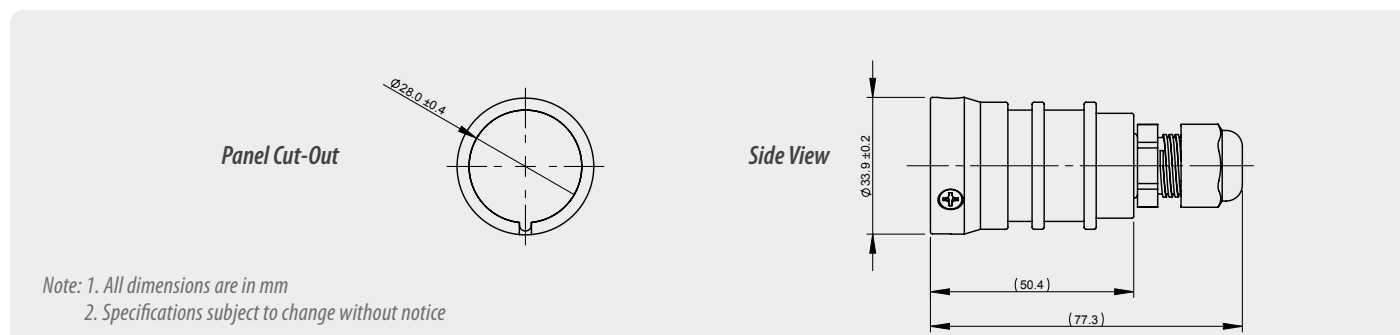
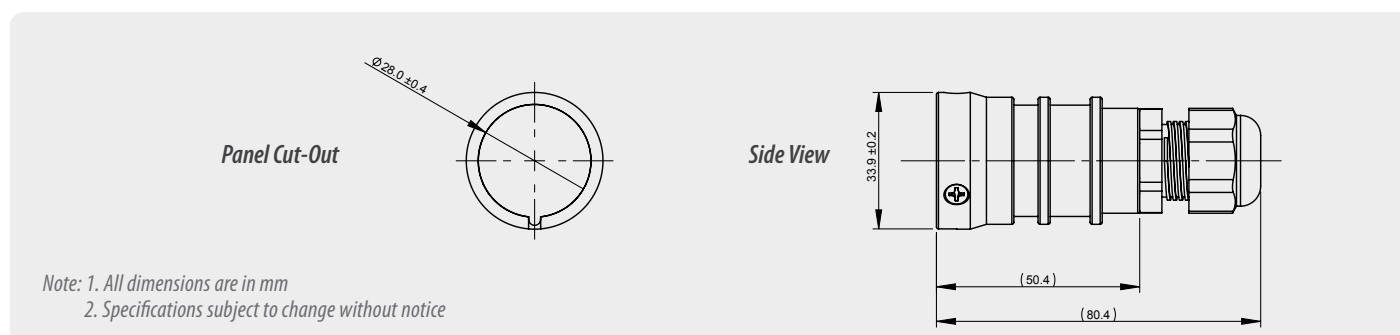
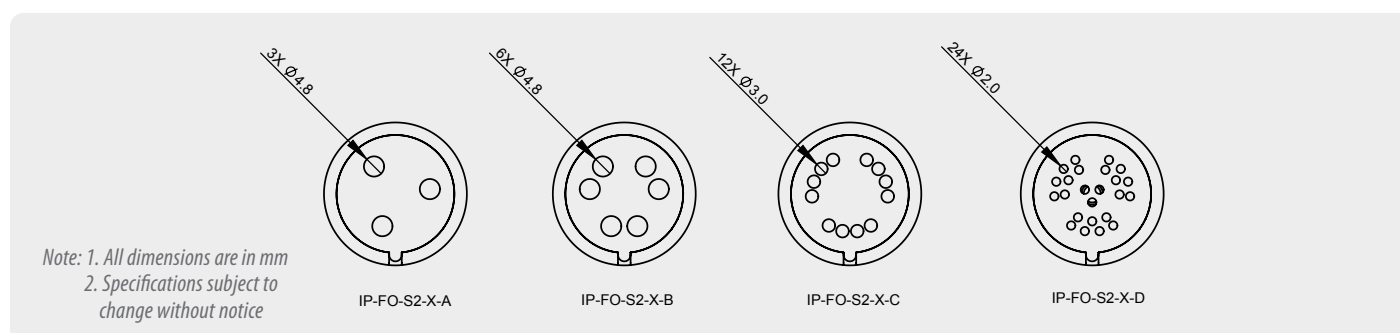
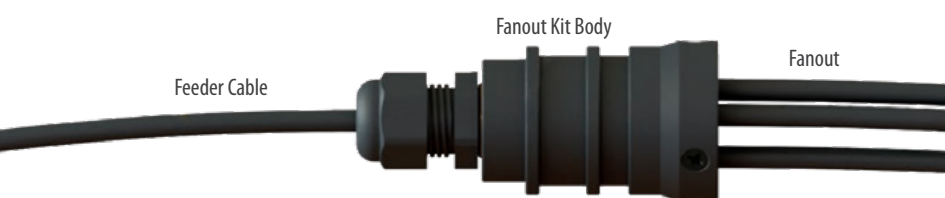
	Value
IP Rating*	IP68
Operating Temperature (C)	-40°C to +75°C
UV Resistance	Yes
RoHS Compliance	2015/863 RoHS
REACH Compliance	Yes

* The IP rating was validated using a SENKO sourced cable and termination procedure. It is recommended to retest IP rating for any other cable types.

IP FANOUT KIT

S type: 4.5-12.0mm

HARSH ENVIRONMENT SERIES DATA SHEET

S type Fanout Kit Drawing - 4.5-7.2 mm Feeder Cable Type**S type Fanout Kit Drawing - 7.3-12 mm Feeder Cable Type****S type Fanout Kit Drawing - Drum Configurations****ORDERING**

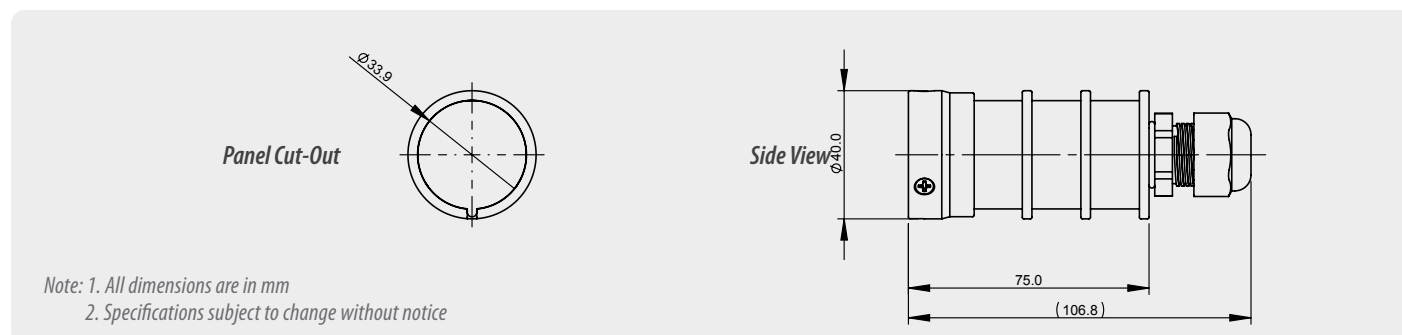
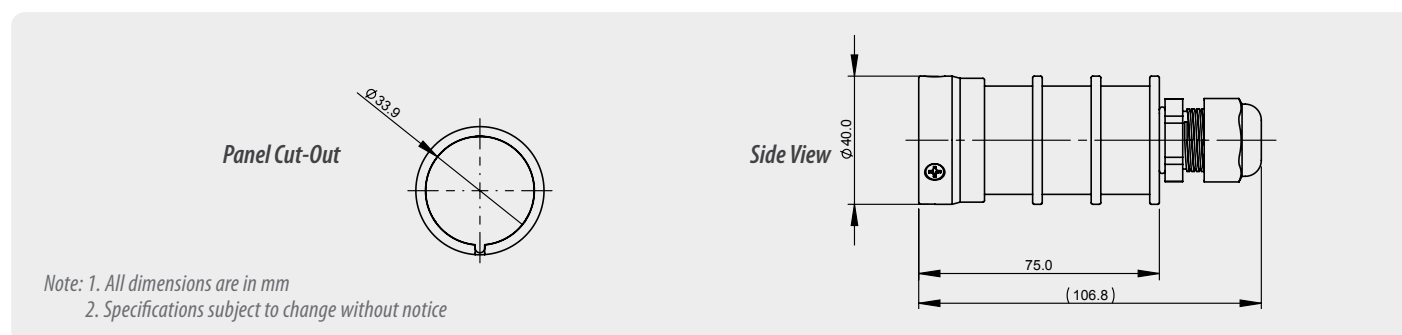
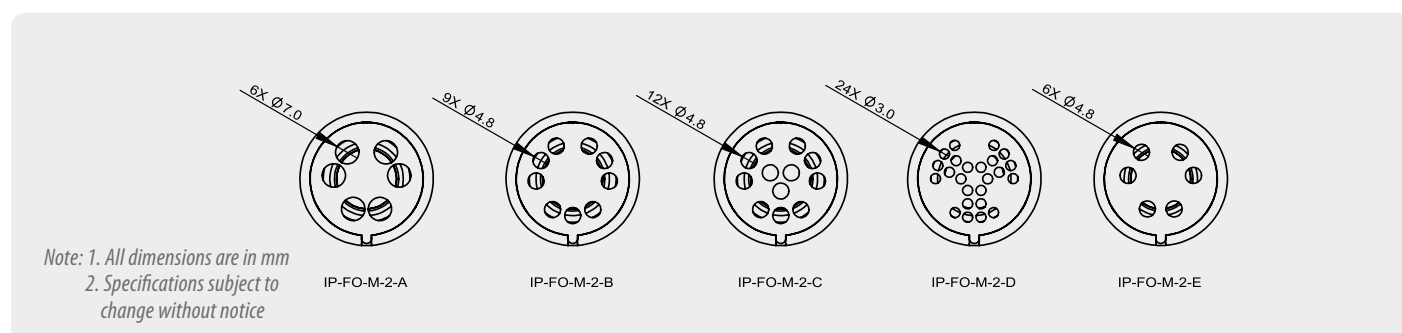
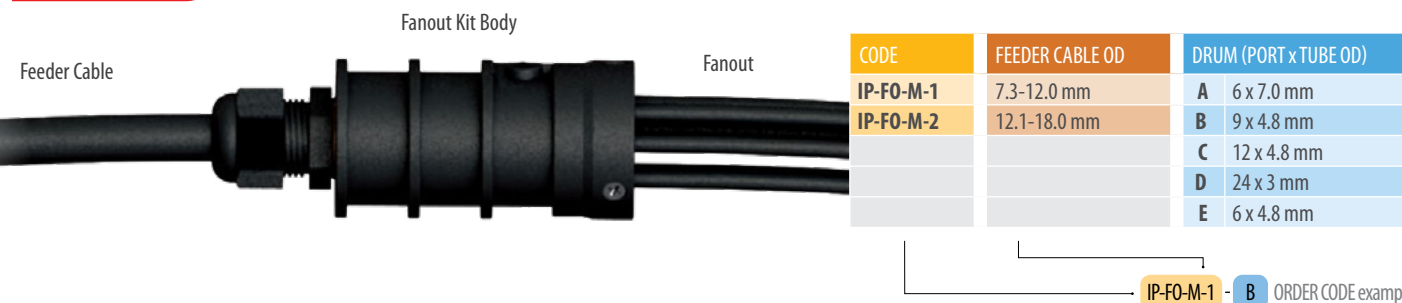
CODE	FEEDER CABLE OD	DRUM (PORT x TUBE OD)
IP-FO-S2	1 4.5-4.9 mm	A 3 x 4.8 mm
	2 5.3-5.7 mm	B 6 x 4.8 mm
	3 5.8-6.2 mm	C 12 x 3.0 mm
	4 6.8-7.2 mm	D 24 x 2.0 mm
	5 7.3-12.0 mm	

IP-FO-S2 - 1 - B ORDER CODE example

IP FANOUT KIT

M type: 7.3-18.0mm

HARSH ENVIRONMENT SERIES DATA SHEET

M type Fanout Kit Drawing 7.3-12 mm Feeder Cable Type**M type Fanout Kit Drawing 13-18 mm Feeder Cable Type****M type Fanout Kit Drawing Drum Configurations****ORDERING**

SENKO[®]

Advanced Components

sales@senko.com
1-858-623-3300

senko.com/contact