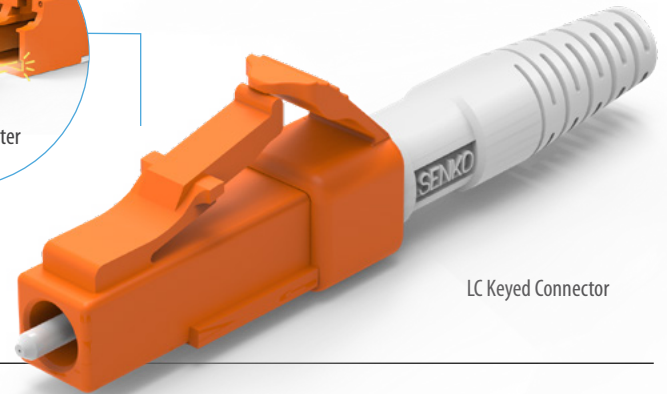
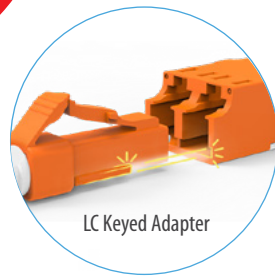


LC KEYED CONNECTOR

935 / 936 / 937 / 938 Series



The SENKO LC Keyed Connector is a fiber optic connector that prevents improper connection of separate networks within common access points. It uses a patented keying system that allows only the same color connectors to mate with the same color adapters, ensuring that network segments are not accidentally mixed or crossed.

The SENKO LC Keyed Connector offers 12 color-coded options for different network applications, such as data, voice, video, security, and building automation. The color-coded keying system also enhances network efficiency by reducing installation time, eliminating the need for labelling, and simplifying network management and troubleshooting. Moreover, the SENKO LC Keyed Connector is designed to meet the requirements of IEC 61754-20, has a robust Unibody design, and has UL rated housings and boots for durability and safety.

FEATURES

- 12 color coded keyed options
- Compact form factor
- Robust construction
- Fully compatible with IEC 61754-20
- Keyed Connector for Increased Security

APPLICATIONS

- Telecommunications
- Data centers
- Local area networks (LANs)
- Fiber to the home (FTTH)
- Fiber to the antenna (FTTA)
- Enterprise networks
- Medical equipment
- Industrial applications
- Military and aerospace
- Broadcasting

KEY BENEFITS

- ✓ **Reduced installation time**
- ✓ **Reduced labelling requirements**
- ✓ **Simplified troubleshooting and fault diagnosis**
- ✓ **Enhanced security**

Mechanical Data

| | Value |
|-------------------|------------------------------------|
| Durability | <0.2dB typical change, 500 matings |
| Fiber Count | Simplex / duplex (1 or 2 fiber) |
| Cable Suitability | 900 μm to 3 mm |
| Ferrule Material | Zirconia |

Optical Data

| | Singlemode | Multimode |
|------------------------------|------------|-----------|
| | UPC | MM |
| | Standard | |
| Typical Insertion Loss (dB)* | 0.08 | 0.10 |
| Max. Insertion Loss (dB)* | 0.20 | 0.20 |
| Typical Return Loss (dB)* | ≥55 | ≥25 |
| Ferrule Diameter (μm) | 125 | 127 |

Environmental Data

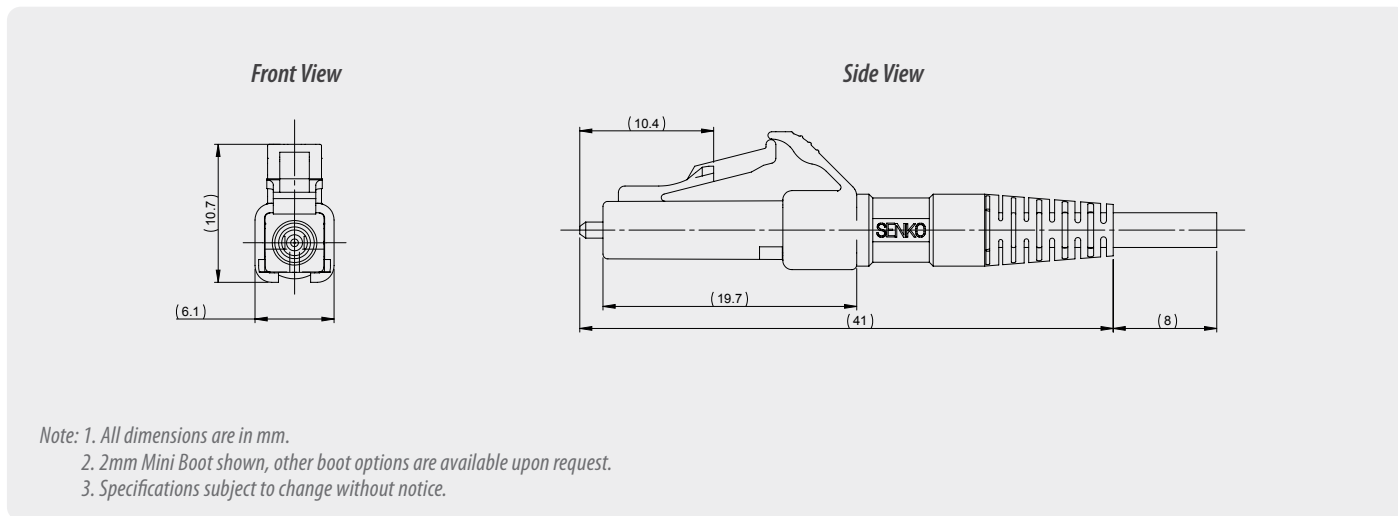
| | Value |
|-----------------------|----------------|
| Operating Temperature | -40°C to +75°C |
| RoHS Compliance | Yes |
| REACH Compliance | Yes |
| Humidity Resistance | 95% |

LC KEYED CONNECTOR

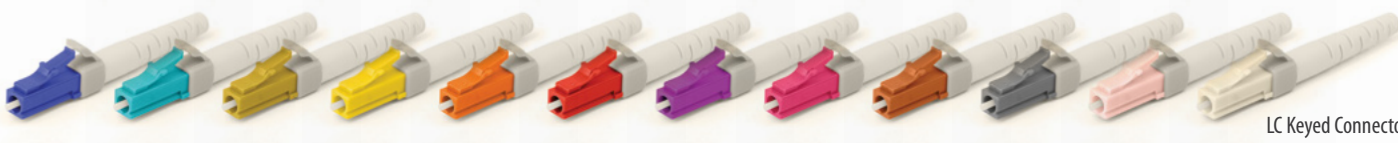
935 / 936 / 937 / 938 Series

LC KEYED CONNECTOR DATASHEET

Connector Drawing



ORDERING

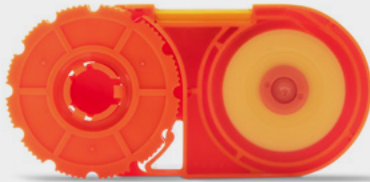


| CODE | TYPE | FERRULE I.D. | COLOR/CLIP | HOUSING COLOR & KEY | BOOT | BOOT COLOR | | | | | | | |
|------|-----------------------|--------------|------------------------|---------------------|------------|------------|------|--------|-----------|------------------|-------------------|---|-------|
| 93 | LC Keyed Connector | 5 | Simplex (Un-assembled) | 153 | SM: 125 µm | 1 | Blue | A | Pink | B | MINI Boot 900 µm | 1 | White |
| | Duplex (Un-assembled) | | 251 | MM: 127 µm | 2 | Beige | B | White | C | MINI Boot 2.0 mm | | | |
| | Simplex (Assembled) | | | | 5 | Aqua | C | Yellow | D | MINI Boot 3.0 mm | | | |
| | Duplex (Assembled) | | | | | | D | Red | 4 | 2.0 mm Round | | | |
| | | | | | | | | E | Orange | 6 | 3.0 mm Boot | | |
| | | | | | | | | F | Violet | 7 | Flex-Angle 2.0 mm | | |
| | | | | | | | | G | Gray | 9 | Flex-Angle 3.0 mm | | |
| | | | | | | | | H | Cobalt | | | | |
| | | | | | | | | J | Brown | | | | |
| | | | | | | | | K | Turquoise | | | | |
| | | | | | | | | L | Magenta | | | | |
| | | | | | | | | M | Olive | | | | |

936 - 251 - 2A41 ORDER CODE example

Accessories - Production/Cleaning

Smart Cleaner™
Cassette
PN: SCK-CC-100



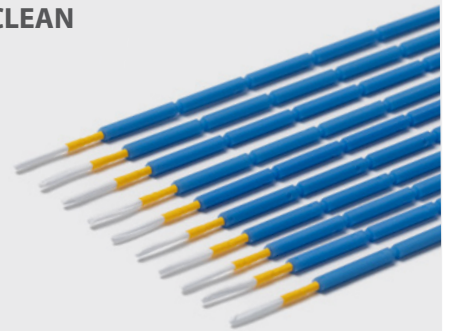
Smart Cleaner™
Mini 1.25 mm Clicker
PN: SCK-SS-M-C125
Refill PN: SCK-SS-CS-R



Smart Cleaner™
1.25 mm Clicker
PN: SCK-SS-CS
Refill PN: SCK-SS-CS-R



**1.25 mm NEOCLEAN
Cleaning Stick**
PN: CSK-01



Accessories - Interferometry

SUMIX Manta W+ Inspection Scope
PN: SMX-Manta-W+



- Inspects 12 fiber in 2.6 seconds, 24 fiber in 4.5 seconds
- 0.5µm defect detection
- Inspection tips for MPO, CS, SN, LC available

SUMIX Max QM+ Inspection Scope
PN: MAX-Quantum



- Inspects 12 fiber in 2.6 seconds, 24 fiber in 4.5 seconds
- 0.5µm defect detection

SENKO[®]

Advanced Components

sales@senko.com
1-858-623-3300

senko.com/contact