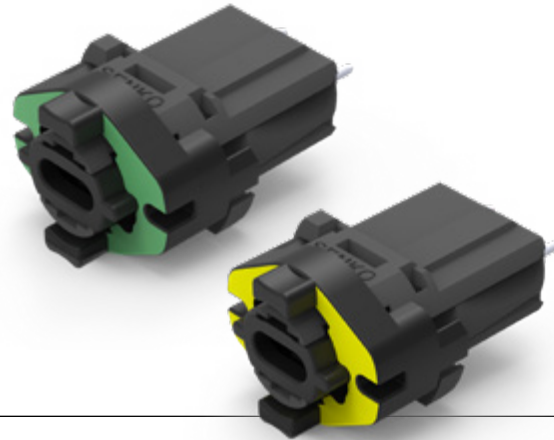


MPO-PLUS[®] **BAYONET CONNECTOR** **705 / 715 Series**



MPO-PLUS[®]
Bayonet Connector

SENKO's MPO-PLUS[®] Bayonet connector is a compact and efficient solution for limited space applications. The unique locking mechanism allows for quick and secure installation in all standard MPO adapters with a simple twist of the bayonet nut.

Industry leading low loss ferrules and free floating ferrule design, meet the rigorous optical demands of today's stringent loss budgets, repeatability, and durability requirements. The MPO-PLUS[®] Bayonet connector is offered in both 12/24F center key as well as 16/32F offset key designs, meeting the latest industry demands for high speed and high density optical requirements.

FEATURES

- Locking bayonet housing
- Spring-loaded free-floating ferrule
- Lowest insertion loss on the market
- 12/24 fiber center key
- 16/32 fiber offset key

APPLICATIONS

- Telecommunications
- On board optics
- Data centers
- Local area networks (LANs)
- FTTX networks
- Premise distribution networks
- Industrial applications

KEY BENEFITS

- ✓ **Compatible with standard MPO adapters**
- ✓ **Compact Under 18 mm**
- ✓ **Robust bayonet secure latch**

Mechanical Data

	Value
Durability	500 matings per TIA -568.3
Fiber Count	Up to 32 fibers
Cable Suitability	Bare ribbon fiber

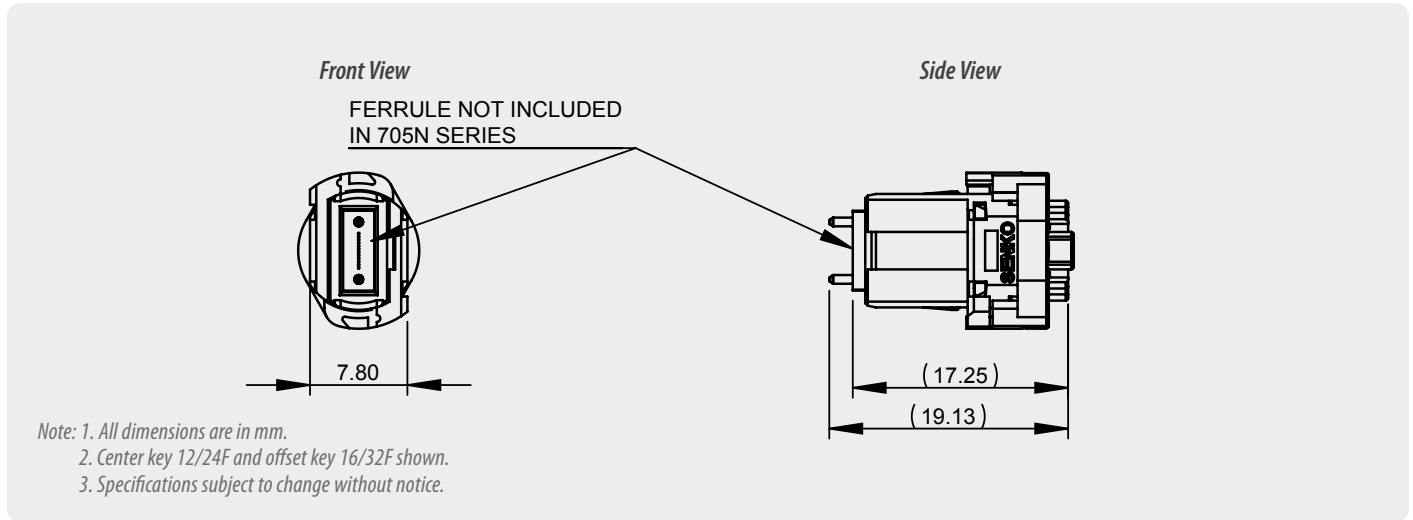
Optical Data

	Singlemode		Multimode	
	APC		MM	
	Low Loss	Standard	Low Loss	Standard
Typical IL 12F	0.10	0.10	0.08	0.15
Max IL 12F	0.25	0.10	0.25	0.50
Typical IL 24F	0.15	0.25	0.15	0.20
Max IL 24F	0.35	1.00	0.35	0.50
Typical IL 16F	0.15	N/A	0.15	0.20
Max IL 16F	0.35	N/A	0.35	0.60
Typical IL 32F	N/A	N/A	N/A	0.25
Max IL 32F	N/A	N/A	N/A	0.60
Typical RL (dB)	≥60		≥25	
Operating Temperature	-40°C to +75°C			
Durability	SM <0.3 dB typical change, 50 matings			

Environmental Data

	Value
Operating Temperature	-40°C to +75°C
RoHS Compliance	Yes
REACH Compliance	Yes

Connector Drawing



ORDERING



MPO-PLUS® Bayonet Connector

BAYONET	GENDER/PIN		FERRULE TYPE		FIBER COUNT		HOUSING COLOR		BOOT/CABLE	
705F	F	Female	SS	SM Standard	04	4F	Y	SM Low Loss Yellow	00	No Boot
	M	Male	SL	SM Super Low Loss	08	8F	G	SM Green		
			MS	MM Standard	12	12F	V	MM OM4 Heather Violet		
			ML	MM Super Low Loss	24	24F	A	MM OM3 Aqua		
							T	MM Beige		
							B	MM Black		
							M	Lime Green		

705F - M - SS12 - G00 ORDER CODE example

Note: Custom configurations available upon request.

BAYONET	GENDER/PIN		FERRULE TYPE		FIBER COUNT		HOUSING COLOR		BOOT/CABLE	
715F	F	Female	SL	SM Super Low Loss	16	16F	Y	SM Low Loss Yellow	00	No Boot
	M	Male	MS	MM Standard	32	32F	G	SM Green		
							V	MM OM4 Heather Violet		
							A	MM OM3 Aqua		
							T	MM Beige		
							B	MM Black		
							M	Lime Green		

705F - M - SL16 - G00 ORDER CODE example

Note: Custom configurations available upon request.

Accessories - Cleaning

Smart Cleaner[™]

PN: SCK-SS-MPO (12/24F Center Key Connectors)
PN: SCK-SS-MPO-02 (16/32F Offset Key Connectors)

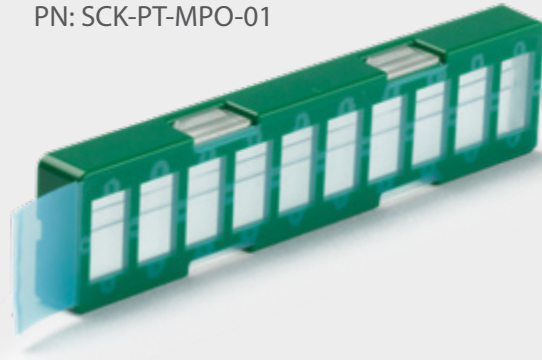
CLEANINGS
600+



MPO-PLUS[®]

OPTRES Gel Cleaner

PN: SCK-PT-MPO-01



Accessories - Interferometry

SUMIX Manta W+ Inspection Scope

PN: SMX-Manta-W+



- Inspects 12 fiber in 2.6 seconds, 24 fiber in 4.5 seconds
- 0.5µm defect detection
- Inspection tips for MPO, CS, SN, LC available

SUMIX Max QM+ Inspection Scope

PN: MAX-Quantum



- Inspects 12 fiber in 2.6 seconds, 24 fiber in 4.5 seconds
- 0.5µm defect detection

SMX Manta W+ MPO Polarity and Continuity Module

PN: MPO Verifier



- Works for 8, 12, 24, 48 and 16, 32 fiber MPO
- Auto test and analysis

SMX Manta W+ Benchtop Holder

PN: MNT-W-Stand



SENKO[®]

Advanced Components

sales@senko.com
1-858-623-3300

senko.com/contact