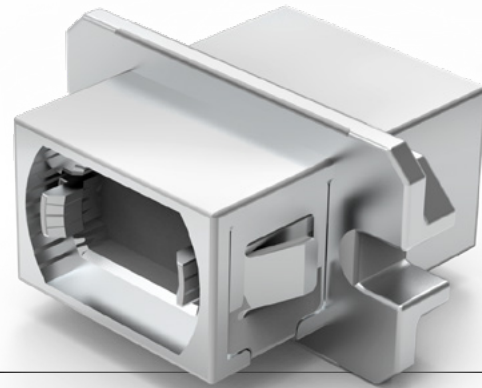


MPO⁺PLUS[®] **METAL ADAPTER** **7M7 / 7M8 Series**



MPO Plus
Metal Adapter

SENKO's MPO Plus Metal adapters are available for either center key MPO connectors (12, 24, 48 and 72 fibers) or offset key MPO connectors (16 and 32 fibers). Compliance to industry standard IEC 61754-7 assures compatibility with all industry standard MPO connectors. These adapters can either be snapped into panel cut-outs or screwed into place using an appropriate screw and nut.

The SENKO MPO Plus Metal adapter offers rugged protection and laser eye safety with option shutter mechanism. The metal body is ideal for equipment manufacturers designing EMI protection into their products.

FEATURES

- Metal housing design
- Internal laser shutter option
- Center or offset keyways
- Flanged and reduced flange

APPLICATIONS

- Artificial intelligence (AI)
- Electronic equipment
- Broadcasting
- Medical imaging
- Data center
- Cloud computing
- High performance computing (HPC)

KEY BENEFITS

- ✓ **Eye safety**
- ✓ **EMI protection**
- ✓ **Solid body construction**

Mechanical Data

	Value
Durability	50 matings per GR-1435
Fixing Method	Snap-fit or screw and nut (<i>adapter with flange</i>)
Housing Material Type	Metal
Shutter Material Type	Metal

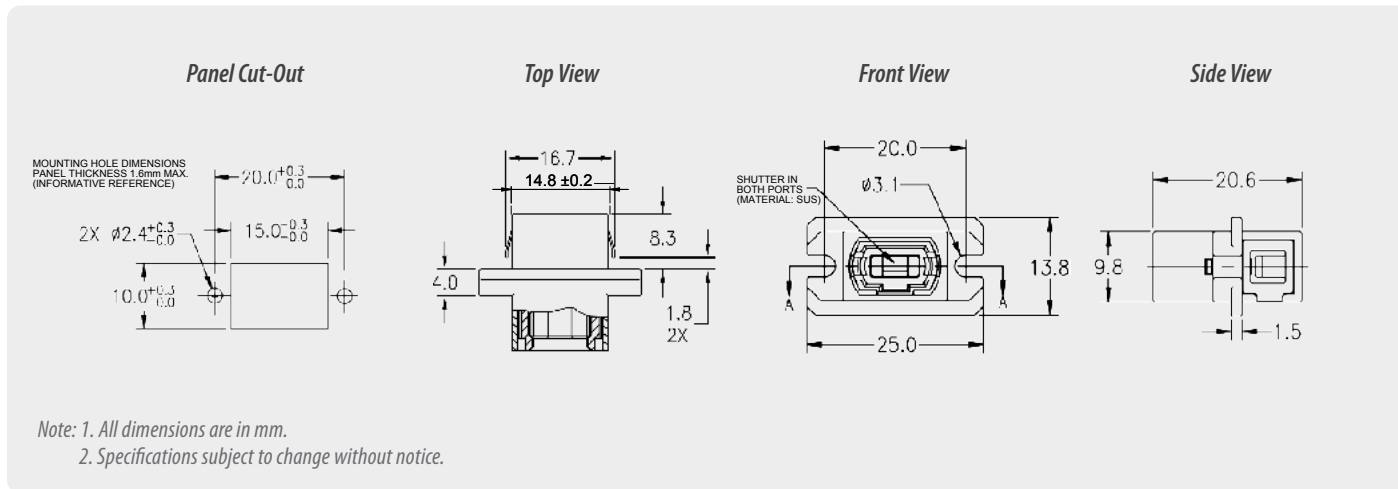
Environmental Data

	Value
Operating Temperature	-40°C to +75°C
RoHS Compliance	Yes
REACH Compliance	Yes

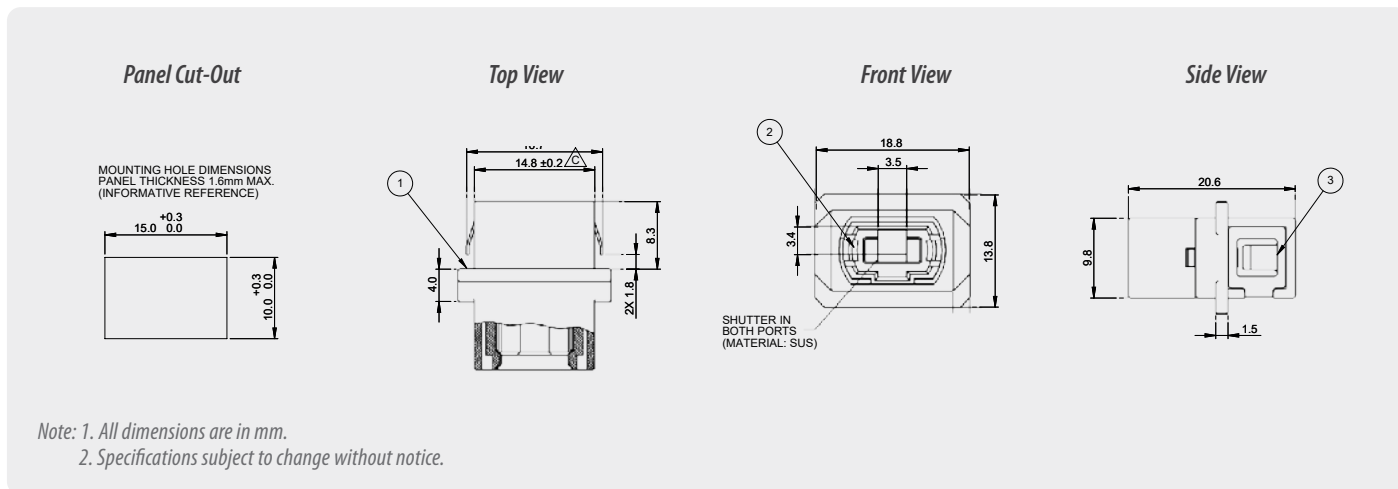
MPO+PLUS[®] METAL ADAPTER

7M7 / 7M8 Series

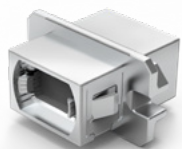
Adapter Drawing - Center Keyway with Flange and Shutter



Adapter Drawing - Center Keyway with No Flange and Shutter



ORDERING



MPO Metal Adapter with Internal Shutter



MPO Metal Adapter No Flange

ADAPTER FLANGE		ADAPTER COLOR		SHUTTER	
7M7	Flange (Standard Flange)	1	Regular Key	None	No Shutter
7M8	No Flange (Reduced Flange)	K	Aligned Key	A	Inner Shutter

7M7 1 A ORDER CODE example

Accessories - Cleaning

Smart Cleaner⁺

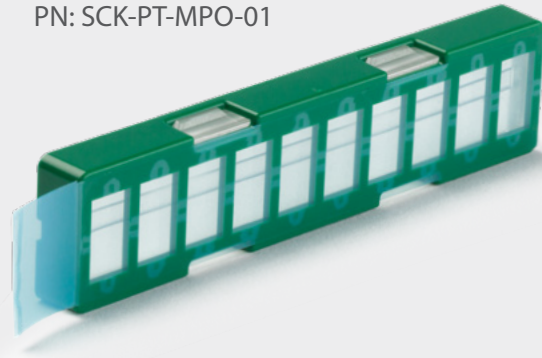
PN: SCK-SS-MPO (12/24F Center Key Connectors)
PN: SCK-SS-MPO-02 (16/32F Offset Key Connectors)



MPO^{PLUS}

OPTRES Gel Cleaner

PN: SCK-PT-MPO-01



Accessories - Interferometry

SUMIX Manta W+ Inspection Scope

PN: SMX-Manta-W+



- Inspects 12 fiber in 2.6 seconds, 24 fiber in 4.5 seconds
- 0.5µm defect detection
- Inspection tips for MPO, CS, SN, LC available

SUMIX Max QM+ Inspection Scope

PN: MAX-Quantum



- Inspects 12 fiber in 2.6 seconds, 24 fiber in 4.5 seconds
- 0.5µm defect detection

SMX Manta W+ MPO Polarity and Continuity Module

PN: MPO Verifier



- Works for 8, 12, 24, 48 and 16, 32 fiber MPO
- Auto test and analysis

SMX Manta W+ Benchtop Holder

PN: MNT-W-Stand



SENKO[®]

Advanced Components

sales@senko.com
1-858-623-3300

senko.com/contact