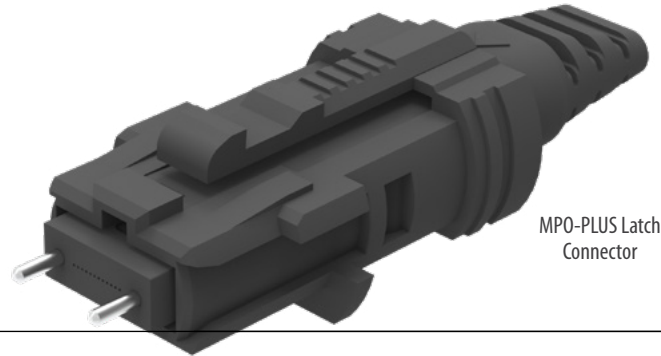


## MPO-PLUS<sup>®</sup> LATCH CONNECTOR 704 Series



The MPO-PLUS Latch connector features an innovative latch design for easier connection and disconnection than traditional push-pull MPO housings, while retaining the MPO-PLUS oval spring and free-floating high-quality ferrules. It is compact, with a 20N spring for 24F ferrules, and includes a high-quality, low-loss ferrule. Note that a latch-compatible adapter is required.

The MPO-PLUS Latch connector is ideal for high-density applications where space and accessibility are critical. It supports various types of fiber optic cables, such as ribbon, round, and trunk cables. It also offers Flex Angle and other boot options, providing flexibility in installation and usage.

### FEATURES

- Gender changeable guide pins
- Compact size
- 12/24 Fiber center key
- Multiple boot variants up to 5.5 mm

### APPLICATIONS

- Artificial intelligence (AI)
- FTTx
- Telecommunications
- Data center
- Cloud computing
- High performance computing (HPC)

### KEY BENEFITS

- ✓ **Lowest insertion loss on the market**
- ✓ **Removable precision guide pins**
- ✓ **Patented latch release mechanism**

### Mechanical Data

	Value
Durability	500 matings per TIA-568.3
Fiber Count	Up to 24 fibers
Cable Suitability	2.0 mm to 5.5 mm round or bare/jacketed ribbon fiber

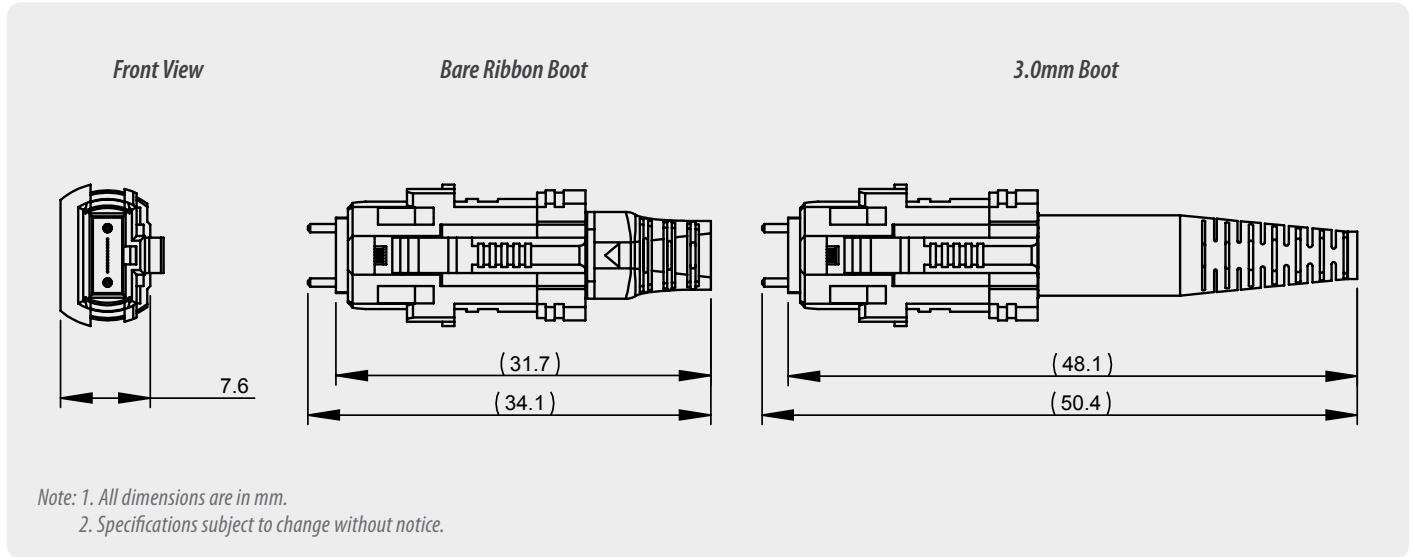
### Optical Data

	Singlemode		Multimode	
	APC		MM	
	Low Loss	Standard	Low Loss	Standard
Typical Insertion Loss (dB) 12-fiber	0.10	0.20	0.08	0.15
Max. Insertion Loss (dB) 12-fiber	0.25	0.70	0.25	0.50
Typical Insertion Loss (dB) 24-fiber	0.15	0.25	0.15	0.20
Max. Insertion Loss (dB) 24-fiber	0.35	1.00	0.35	0.50
Typical Return Loss (dB)	≥60		≥25	
Durability	SM <0.3 dB typical change, 50 matings			

### Environmental Data

	Value
Operating Temperature	-40°C to +75°C
RoHS Compliance	Yes
REACH Compliance	Yes

Connector Drawing – 704 Series



ORDERING



MPO LATCH	GENDER/PIN	FERRULE TYPE	FIBER COUNT	HOUSING COLOR	BOOT/CABLE
704F	F Female	SS SM Standard	04 4F	B MM Black	00 Bare Ribbon Bare Ribbon "No" Boot
	M Male	SL SM Super Low Loss	08 8F		01 Fiber Bare Ribbon Boot
	G Female Gender Changeable (pin sold separately)	MS MM Standard	12 12F		21 2.0mm 2.0mm Boot without Crimp
		ML MM Super Low Loss	24 24F		22 Round 2.0mm Boot with Crimp
					32 3.0mm 3.0mm Flex Angle Boot
					33 Round 3.0mm Short Boot
					41 3.6mm 3.6mm Boot
					42 Round 3.6mm Flex Angle Boot
					46 Round 3.6mm Short Boot
					51 Other Boot 4.5mm Boot
					52 5.0mm Boot
					53 5.5mm Boot

704F - M - SS12 - B32 ORDER CODE example

Accessories - Cleaning

Smart Cleaner<sup>™</sup>

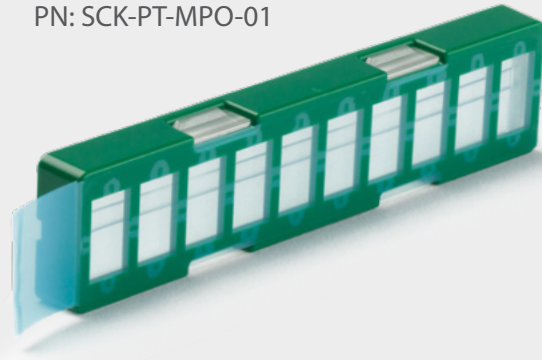
PN: SCK-SS-MPO (12/24F Center Key Connectors)  
PN: SCK-SS-MPO-02 (16/32F Offset Key Connectors)



MPO-PLUS<sup>®</sup>

OPTRES Gel Cleaner

PN: SCK-PT-MPO-01



Accessories - Interferometry

SUMIX Manta W+ Inspection Scope

PN: SMX-Manta-W+



- Inspects 12 fiber in 2.6 seconds, 24 fiber in 4.5 seconds
- 0.5µm defect detection
- Inspection tips for MPO, CS, SN, LC available

SUMIX Max QM+ Inspection Scope

PN: MAX-Quantum



- Inspects 12 fiber in 2.6 seconds, 24 fiber in 4.5 seconds
- 0.5µm defect detection

SMX Manta W+  
MPO Polarity and Continuity Module

PN: MPO Verifier



- Works for 8, 12, 24, 48 and 16, 32 fiber MPO
- Auto test and analysis

SMX Manta W+ Benchtop Holder

PN: MNT-W-Stand



# SENKO<sup>®</sup>

Advanced Components

[sales@senko.com](mailto:sales@senko.com)  
1-858-623-3300

[senko.com/contact](https://senko.com/contact)