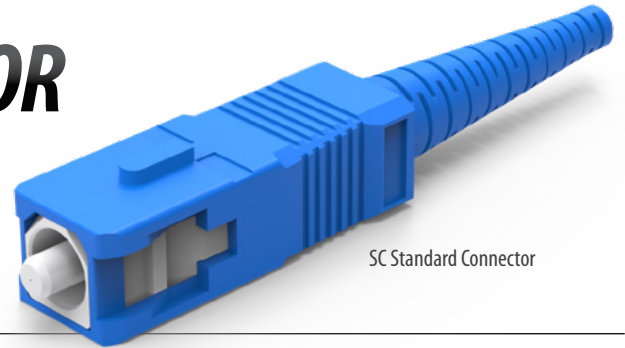


SC STANDARD CONNECTOR

900µm, 2 mm and 3 mm
Series 231 / 232



The SENKO SC Standard Connector is a cost effective, versatile and fiber optic connector that supports both Multi-mode and Singlemode fibers. It is designed to accommodate various cable sizes, specifically 900 µm, 2 mm, and 3 mm, making it suitable for a wide range of applications. The connector is compliant with the IEC 61754-4 standard, ensuring it meets international quality and performance criteria (Grade C IEC61753-1 Random Mating). It comes pre-assembled to aid with termination and has a push-pull coupling mechanism that provides a secure and stable connection, which is crucial for maintaining the integrity of the signal transmission.

FEATURES

- Fully compliant with IEC 61754-4.
- Push-pull coupling mechanism for repeatable and simple installation.
- Multiple cable boot types available.
- Housing and boots can be color-coded.
- Excellent value for performance

APPLICATIONS

- Telecommunications
- Data centers
- Local area networks (LANs)
- FTTX networks
- Premise distribution networks
- Industrial applications

KEY BENEFITS

- ✓ **Excellent value for performance**
- ✓ **Reliable, durable design**
- ✓ **Industry standard**
- ✓ **Easy installation**

Mechanical Data

	Value
Durability	500 matings
Fiber Count	Simplex (1 fiber)
Cable Suitability	900 µm to 3 mm
Ferrule Material	Zirconia

Optical Data

	Singlemode	Multimode
	UPC	MM
	Standard	
Typical Insertion Loss (dB)	0.12	0.15
Max. Insertion Loss (dB)	0.30	0.30
Typical Return Loss (dB)	≥55	≥25
Ferrule Diameter (µm)	125.5	127

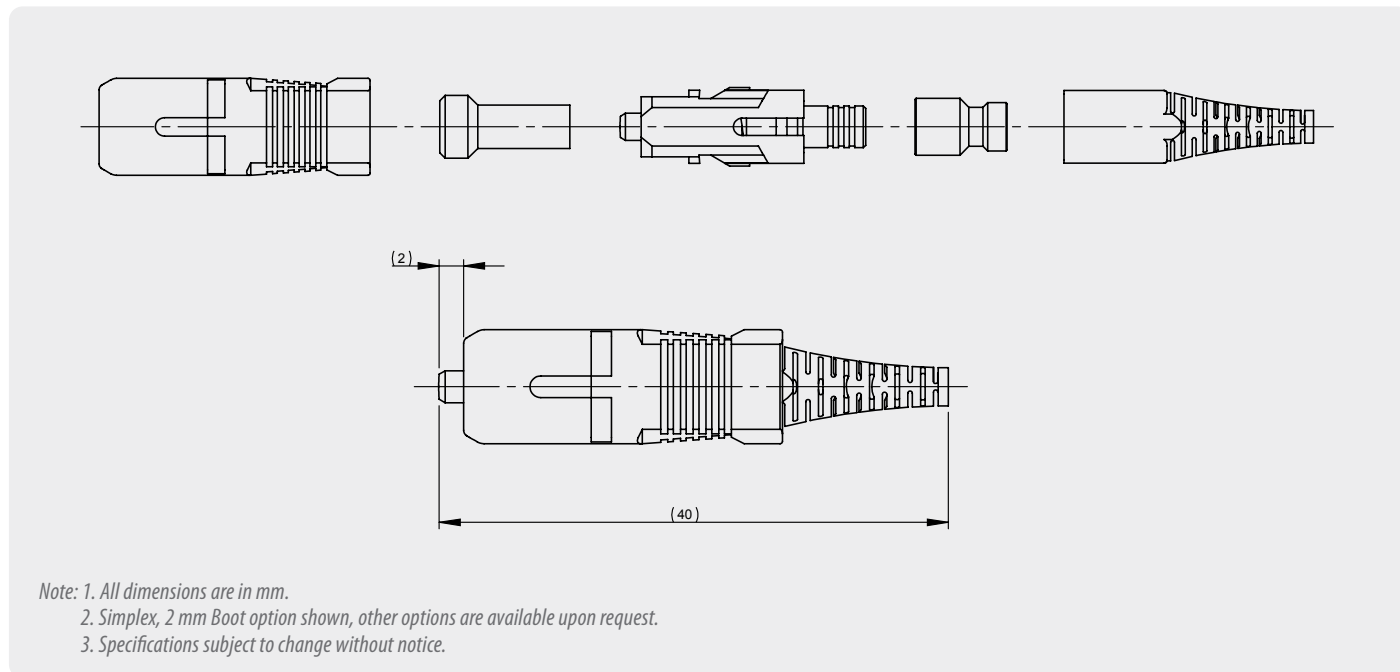
Environmental Data

	Value
Operating Temperature	-40°C to +75°C
RoHS Compliance	Yes
REACH Compliance	Yes
Humidity Resistance	95%

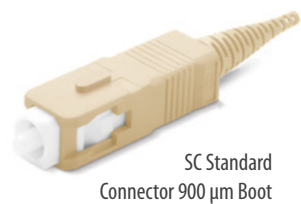
SC STANDARD CONNECTOR

900 μm, 2 mm and 3 mm, series 231 / 232

Connector Drawing



ORDERING



CONNECTOR		FERRULE TYPE		HOUSING		BOOT TYPE		BOOT COLOR	
231	Standard	191	SM: Standard 125.5 μm	5	Aqua	P	Standard 3.0 mm	1	Blue
		291	MM: Standard 127 μm	6	Blue	N	Standard 2.0 mm	2	Black
				7	Black	M	Standard 900 μm	4	Red
				8	Red	J	MINI 900 μm	6	Yellow
				9	Beige			8	Beige

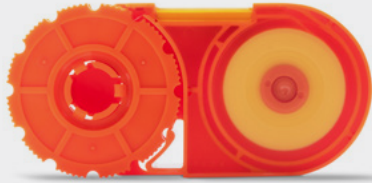
231 - 191 - 7N4 ORDER CODE example

Accessories - Production/Cleaning

Smart Cleaner™

Cassette

PN: SCK-CC-100



Smart Cleaner™

2.5 mm Clicker

PN: SCK-SS-250

Refill PN: SCK-SS-250-R



SC Crimp Tool

PN: CRT-401 SC, FC, ST One Piece Connectors
CRT-501 SC Connector Kit 132 Series
CRT-705 SC/LC 1.2 mm Connector



**2.5 mm NEOCLEAN
Cleaning Stick**

PN: CSK-02



Accessories - Interferometry

SUMIX Max W+ Inspection Scope

PN: SMX-MANTA-W+



The MANTA W+ inspection scope is designed for high-performance inspection of all types of single fiber and multi-fiber optical connectors, patch cords and bulkheads. The MANTA HM inspection scope is used to detect scratches, contamination and other surface defects as small as 0.75 µm on the end face of the connector.

SUMIX Max QM+ Inspection Scope

PN: MAX-QM+



The MAX-QS+ is a white-light and phase-shift interferometer for inspection of single fiber ST, FC, SC, LC, CS, SN, E2000™ (PC and APC), small format multi-fiber MT-RJ (PC and APC), SMA and special connectors. MAX-QS+ features portable design, autofocus, 100 micron scan range for fiber height and resolution of 1.1 µm.

Contact sales@senko.com
or visit our website for more details



SENKO[®]

Advanced Components

sales@senko.com
1-858-623-3300

senko.com/contact