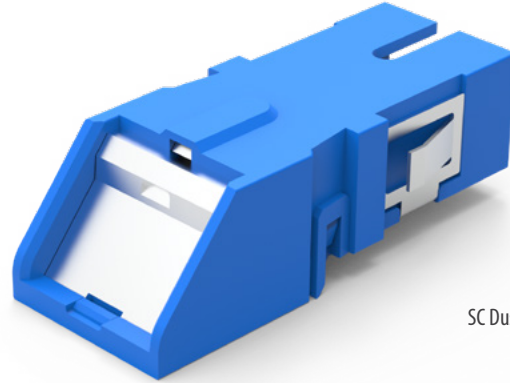


SC DUST SHUTTER ADAPTER

Series 24A / 24B



SC Dust Shutter Adapter

The SENKO SC Dust Shutter Adapter is a state-of-the-art connectivity solution designed to safeguard fiber optic connections from dust contamination when not in use. This adapter features an integrated, hands-free shutter mechanism that automatically shields the behind-the-wall connector, ensuring IP5X level dust protection. The adapter's dust shutter is highly effective, blocking -25 dB at 1310 nm, which is crucial for maintaining signal integrity in fiber optic communications. In addition to its protective features, the adapter complies with IEC TR 62627-08 power standards, ensuring reliable performance in various applications. The traceability of the adapter is enhanced with a visible light source, allowing for easy identification and maintenance. The automatic shutter action is 100% hands-free, providing convenience and safety without the need for manual intervention. The SENKO SC Dust Shutter Adapter is a testament to SENKO's commitment to innovation and quality in optical connectivity solutions. Its robust design and protective features make it an essential component for any fiber optic network requiring high levels of dust protection and signal reliability.

FEATURES

- Integrated hands free shutter mechanism
- Effective dust protection to IP5X
- Compliance with IEC-TR 62627-08 power standards
- Safe visible traceability

APPLICATIONS

- Telecommunications
- On board optics
- Data centers
- Local area networks (LANs)
- FTTX networks
- Premise distribution networks
- Industrial applications
- Laboratory environments

KEY BENEFITS

- ✓ **Eye safe dust shutter**
- ✓ **Simple installation**
- ✓ **Color coded housings**

Mechanical Data

	Value
Durability	200 matings
Fixing Method	Snap fit (<i>adapter without flange</i>) or screw and nut (<i>adapter with flange</i>)
Housing Material	Plastic
Alignment Sleeve Material	Zirconia
Fiber Count	Simplex or duplex (<i>1 or 2 channel</i>)
Dust Shutter Mechanism	Integrated dust shutter (<i>IEC TR 62627-08 power compliance</i>)

Optical Data

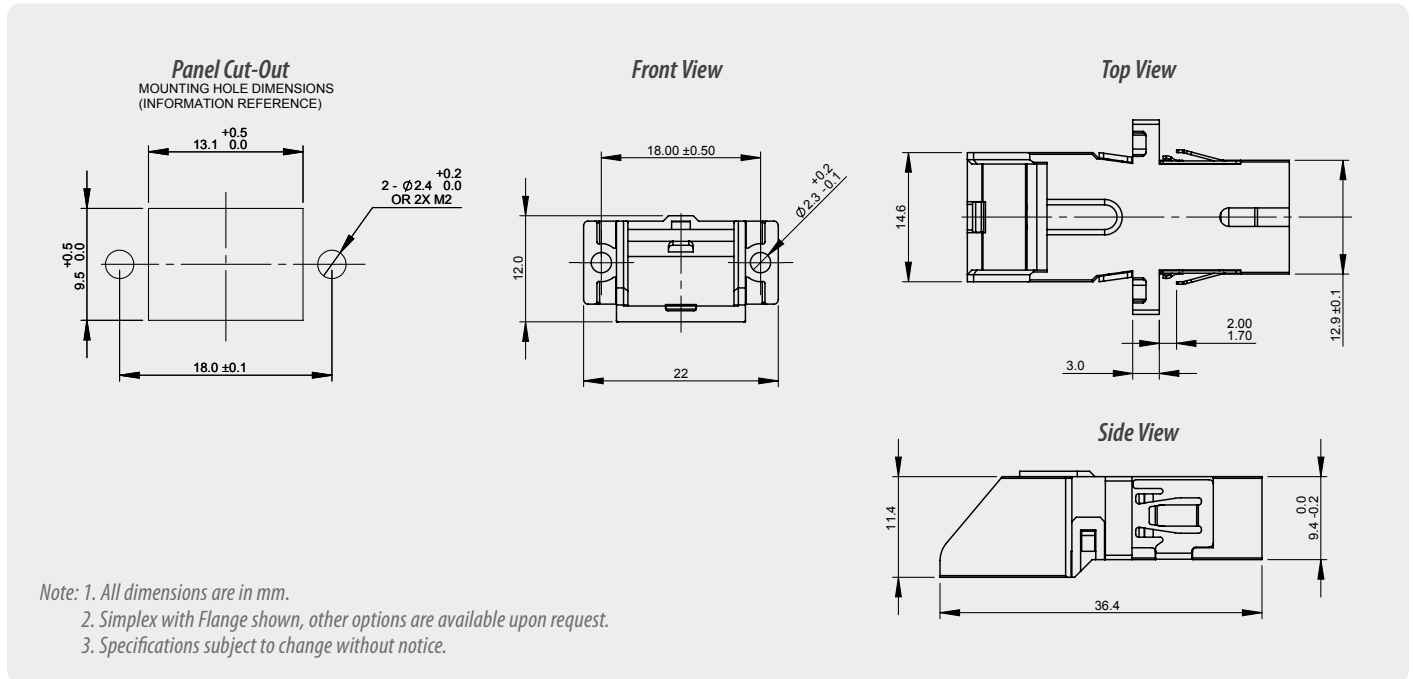
	Value
Typical Insertion Loss (dB)*	0.10
Max. Insertion Loss (dB)*	0.20

* Based on master grade jumper to low loss random mating test

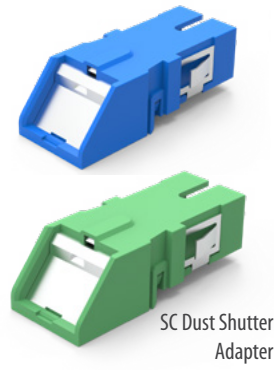
Environmental Data

	Value
Operating Temperature	-40°C to +75°C
RoHS Compliance	Yes
REACH Compliance	Yes
Humidity Resistance	95%

Adapter Drawing



ORDERING

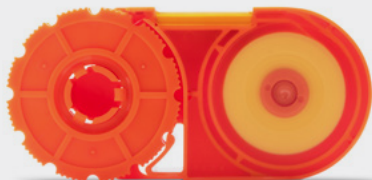


ADAPTER CODE	TYPE	HOUSING COLOR	SLEEVE TYPE	SHUTTER
24A SC Adapter with Dust Shutter with Flange	1 Simplex	0 Blue 1 Green	1 Zirconia	A Shutter
24B SC Adapter with Dust Shutter no Flange		7 Violet OM4 (MOQ Req) 9 Aqua OM3		



Accessories - Production/Cleaning**Smart Cleaner™****Cassette**

PN: SCK-CC-100

**Smart Cleaner™****2.5 mm Clicker**

PN: SCK-SS-250

Refill PN: SCK-SS-250-R

**SC Crimp Tool**

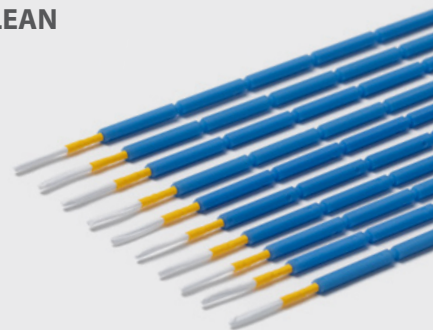
PN: CRT-401 SC, FC, ST One Piece Connectors

CRT-501 SC Connector Kit 132 Series

CRT-705 SC/LC 1.2 mm Connector

**2.5 mm NEOCLEAN****Cleaning Stick**

PN: CSK-02

**Accessories - Interferometry****SUMIX Max W+ Inspection Scope**

PN: SMX-MANTA-W+



The MANTA W+ inspection scope is designed for high-performance inspection of all types of single fiber and multi-fiber optical connectors, patch cords and bulkheads. The MANTA HM inspection scope is used to detect scratches, contamination and other surface defects as small as 0.75 μm on the end face of the connector.

SUMIX Max QM+ Inspection Scope

PN: MAX-QM+



The MAX-QS+ is a white-light and phase-shift interferometer for inspection of single fiber ST, FC, SC, LC, CS, SN, E2000™ (PC and APC), small format multi-fiber MT-RJ (PC and APC), SMA and special connectors. MAX-QS+ features portable design, autofocus, 100 micron scan range for fiber height and resolution of 1.1 μm .

Contact sales@senko.com
or visit our website for more details

Contact
SENKO

SENKO[®]

Advanced Components

sales@senko.com
1-858-623-3300

senko.com/contact