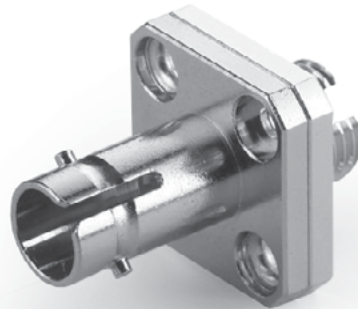
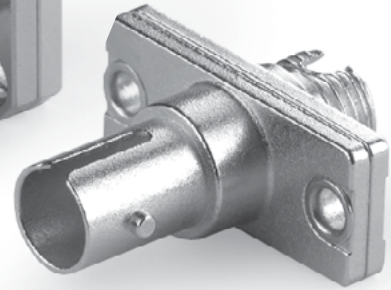


ST - FC HYBRID ADAPTER 284 / 287 Series

FC-ST Adapter with
Square Flange



FC-ST Adapter with
Rectangular Flange



The SENKO ST – FC hybrid adapter is designed to accurately align the connector end faces across various systems, making it perfect for connecting FC to ST connectors. Its design facilitates smooth integration and improves both contemporary and older fiber optic networks. The compact structure of these adapters allows network operators to reduce costs by conserving space and eliminating the need for hybrid cable assemblies.

Featuring a sturdy metal body and a built-in Zirconia split alignment sleeve, these adapters provide resilience and protection in diverse environments, suitable for both indoor and outdoor use. With options for standard square flange or rectangular flange with two-hole mounting, they offer flexible installation possibilities. Additionally, the capability to connect ST and FC legacy connectors enhances versatility, ensuring compatibility with a broad array of equipment and supporting both singlemode and multimode fibers.

These adapters offer a robust and dependable solution for linking FC and ST connectors, making them invaluable in laboratory settings or extensive network infrastructures.

FEATURES

- FC and ST Connector Compliant
- Metal Construction
- Durable and reliable design
- Suitable for legacy applications
- Zirconia split alignment sleeves

APPLICATIONS

- Telecommunications
- Data centers
- Test and measurement equipment
- Industrial applications
- Medical equipment
- Military and aerospace
- Broadcast
- Medical equipment

KEY BENEFITS

- ✓ **Legacy systems compatibility**
- ✓ **Simple installation**
- ✓ **Secure connection**
- ✓ **Cost effective**

Mechanical Data

	Value
Durability	200 matings per GR-326-Core
Fixing Method	2 hole screw fixing (<i>square and rectangular</i>)
Housing Material	Plated metal
Alignment Sleeve Material	Zirconia
Fiber Count	Simplex (<i>1 channel</i>)
Connector Compatability	ST, FC

Optical Data

	Value
Typical Insertion Loss (dB)	0.10
Max Insertion Loss (dB)	0.20

Environmental Data

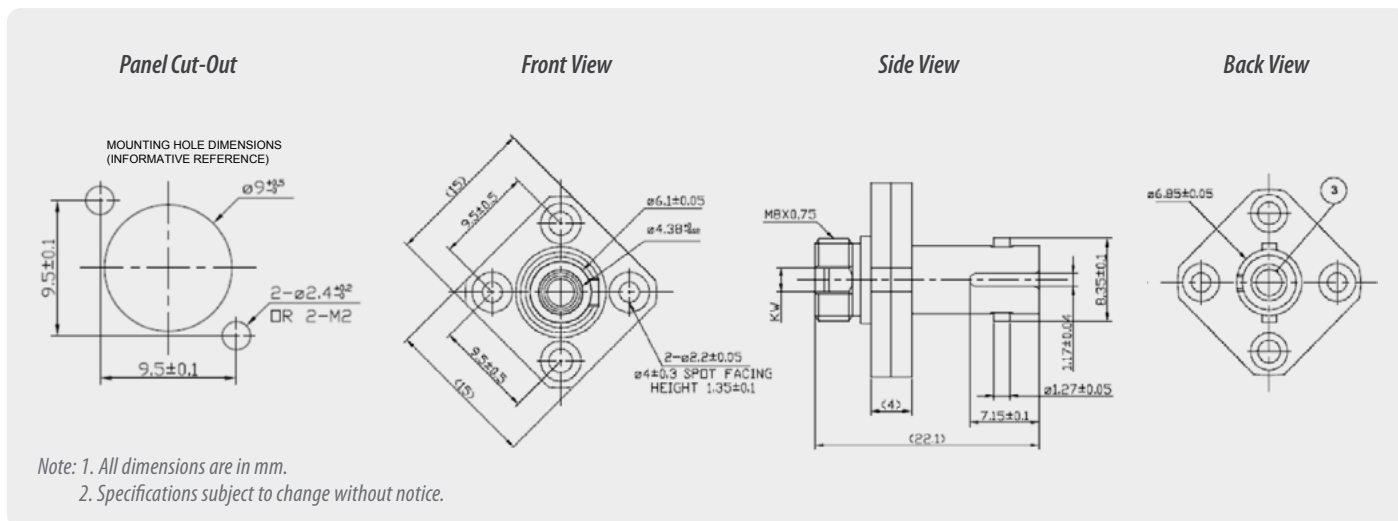
	Value
Operating Temperature	-40°C to +75°C
RoHS Compliance	Yes
REACH Compliance	Yes
Humidity Resistance	95%

ST - FC HYBRID ADAPTER

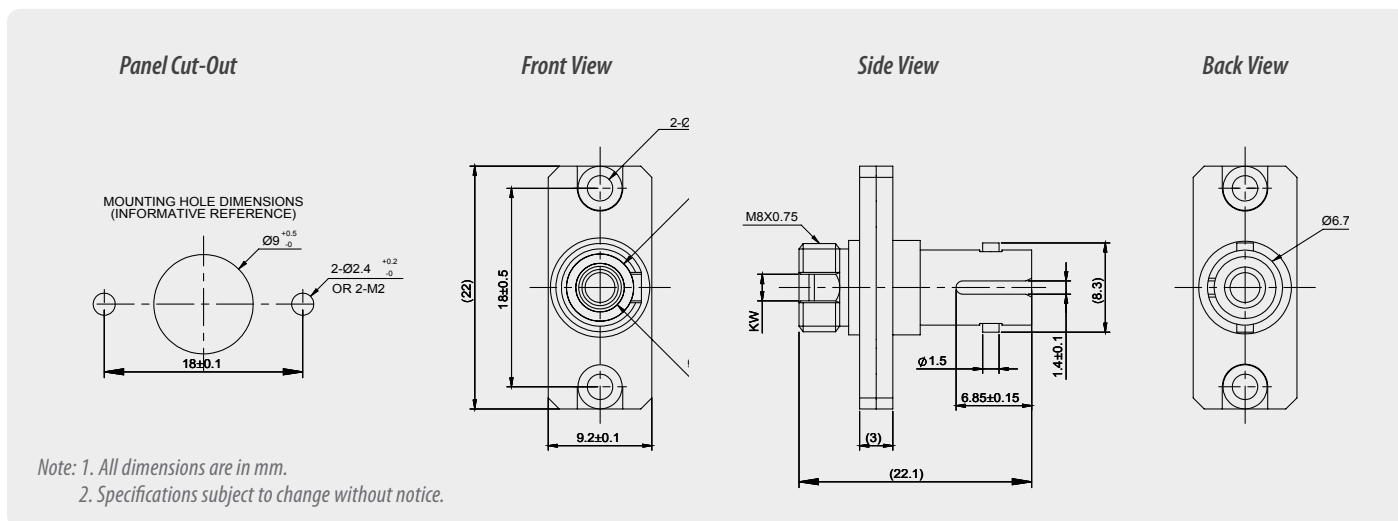
284 / 287 Series

ST - FC HYBRID ADAPTER DATASHEET

Adapter Drawing - Square



Adapter Drawing - Rectangle



ORDERING



FC-ST Adapter with Square Flange



FC-ST Adapter with Rectangular Flange

CODE	KEY WIDTH	SLEEVE
284 Square Flange	1 2.15 +0.05/-0 mm	01 Zirconia Straight Split
287 Rectangular Flange		

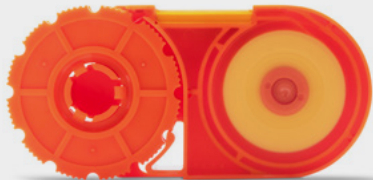
284 - 101 ORDER CODE example

ST - FC HYBRID ADAPTER

Accessories

Accessories - Production/Cleaning

Smart Cleaner™
Cassette
 PN: SCK-CC-100



SC Crimp Tool
 PN: CRT-401 SC, FC, ST One Piece Connectors
 CRT-501 SC Connector Kit 132 Series
 CRT-705 SC/LC 1.2 mm Connector



Smart Cleaner™
2.5 mm Clicker
 PN: SCK-SS-250
 Refill PN: SCK-SS-250-R



**2.5 mm NEOCLEAN
 Cleaning Stick**
 PN: CSK-02



Accessories - Interferometry

SUMIX Max W+ Inspection Scope
 PN: SMX-MANTA-W+



The MANTA W+ inspection scope is designed for high-performance inspection of all types of single fiber and multi-fiber optical connectors, patch cords and bulkheads. The MANTA HM inspection scope is used to detect scratches, contamination and other surface defects as small as 0.75 µm on the end face of the connector.

SUMIX Max QM+ Inspection Scope
 PN: MAX-QM+



The MAX-QS+ is a white-light and phase-shift interferometer for inspection of single fiber ST, FC, SC, LC, CS, SN, E2000™ (PC and APC), small format multi-fiber MT-RJ (PC and APC), SMA and special connectors. MAX-QS+ features portable design, autofocus, 100 micron scan range for fiber height and resolution of 1.1 µm.

Contact sales@senko.com
 or visit our website for more details



SENKO[®]

Advanced Components

sales@senko.com
1-858-623-3300

senko.com/contact