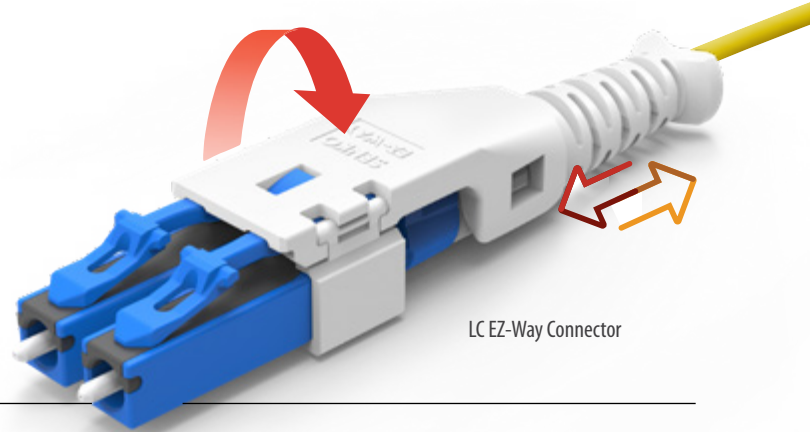


## LC **EZ-WAY**<sup>™</sup> **PREMIUM CONNECTOR** 94Y / 9AY Series



The SENKO LC EZ-Way<sup>™</sup> Connector uses an optimized design to provide a versatile, high-quality product that allows for seamless integration across different data transmission applications. It features an innovative push-pull boot design that enables quick and easy patching and removal, even in crowded environments. Additionally, it allows for polarity reversing without tools, provides a visual polarity indicator, and is simple to remove from high-density patch panels where pull tabs can act like 'fishing hooks'. This connector also supports a belly-to-belly setup for 800G transceivers. Optimized for high-density applications, the connector ensures easy access and enhanced airflow within electronic enclosures, which helps to lower cooling costs and simplify cable management. The LC EZ-WAY Connector is compatible with 2.0 mm and 3.0 mm cable.

For added convenience, the LC EZ-Way<sup>™</sup> is also offered as a pre-assembled connector kit, enabling consistent LC connector performance with streamlined inventory management due to fewer components. This not only saves time by reducing assembly operations but also minimizes the risk of damage during the assembly process.

### FEATURES

- Polarity reversing without tools
- Visual indicator for polarity
- Easy to remove in high-density patch panels
- Belly-to-belly configuration for 800G transceivers
- Compact form factor
- Robust construction
- Fully compatible with IEC61754-20
- Available as both a pre-assembled or unassembled kit

### APPLICATIONS

- Data centers
- Test and measurement equipment
- Industrial applications
- Medical equipment
- Broadcast

### KEY BENEFITS

- ✓ **Optimized for high density patching**
- ✓ **Polarity changeable without tools**
- ✓ **Easy installation and extraction**
- ✓ **800G belly-to-belly transceiver compatible**
- ✓ **Low IL and RL performance**
- ✓ **Robust design**

## Mechanical Data

	Value
Durability	500 matings per TIA-568
Fiber Count	Duplex (2 fibers)
Cable Suitability	2.0 mm/3.0 mm jacketed
Ferrule Material	Zirconia

## Optical Data

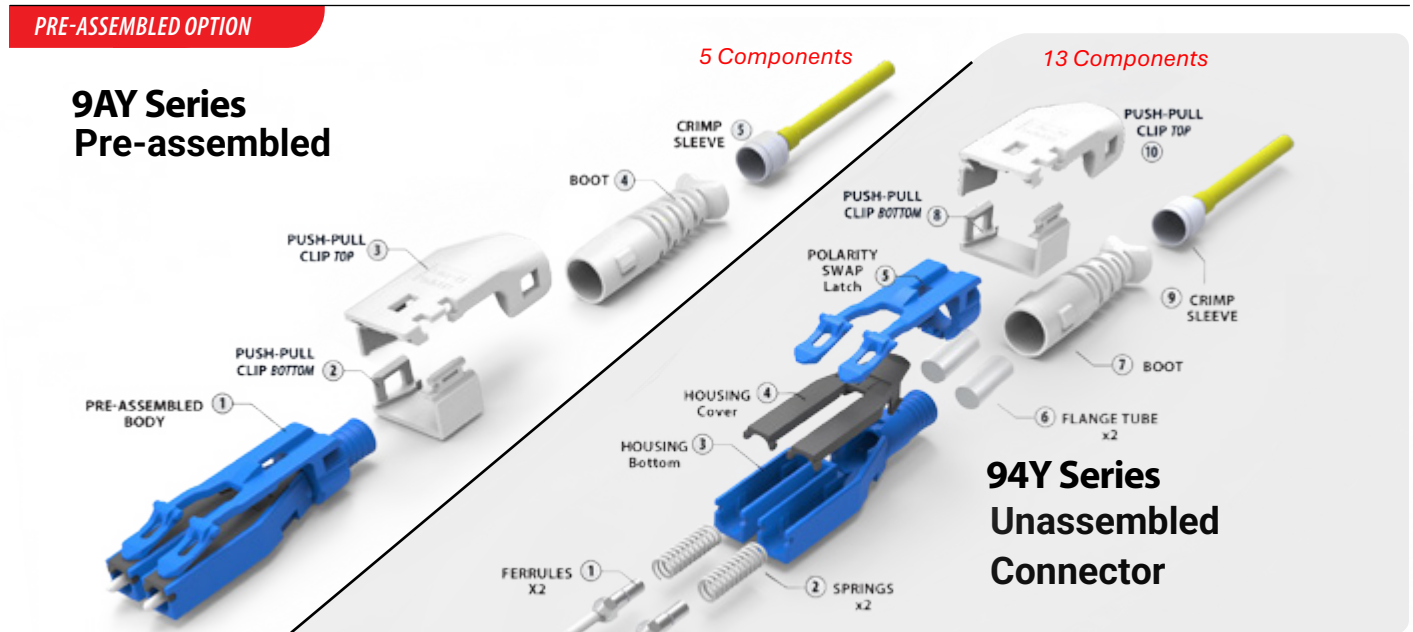
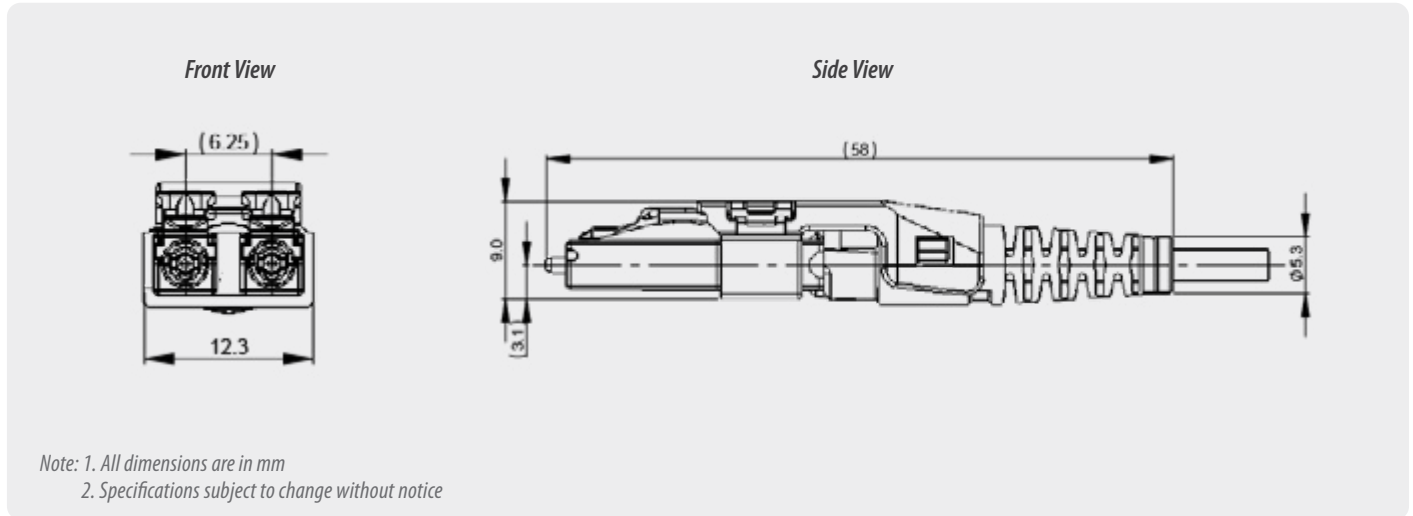
	Singlemode	Multimode
	UPC	MM
	Standard	Standard
Typical Insertion Loss (dB)*	0.12	0.15
Max. Insertion Loss (dB)*	0.30	0.30
Typical Return Loss (dB)*	≥55	≥25
Ferrule Inside Diameter (µm)	125.5	127

\* Based on master grade jumper to low loss random mating test


## Environmental Data

	Value
Operating Temperature	-40°C to +75°C
RoHS Compliance	2015/863 RoHS
REACH Compliance	Yes
Free of Halogen	Yes
Humidity Resistance	95%

**Connector Drawing**



**ORDERING**



CONNECTOR TYPE	FERRULE TYPE	HOUSING COLOR	BOOT TYPE	BOOT COLOR
94Y LC EZ-Way Unassembled Connector Kit	151 SM Premium	1 Blue	C Pull-Boot 2.0mm	1 White
9AY LC EZ-Way Pre-assembled Connector Kit	158 SM Premium Low Loss	2 Beige	D Pull-Boot 3.0mm	
	251 MM Premium	5 Aqua		
		6 Heather Violet		

LC EZ-Way Connector

94Y - 151 - 1C1 ORDER CODE example

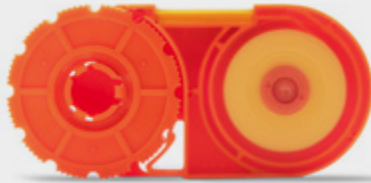
*Note: Heat shrink only available on 2mm versions*

**Accessories - Production/Cleaning**

**Smart Cleaner™**

**Cassette**

PN: SCK-CC-100



**Smart Cleaner™**

**Mini 1.25 mm Clicker**

PN: SCK-SS-M-C125

Refill PN: SCK-SS-CS-R



**Smart Cleaner™**

**1.25 mm Clicker**

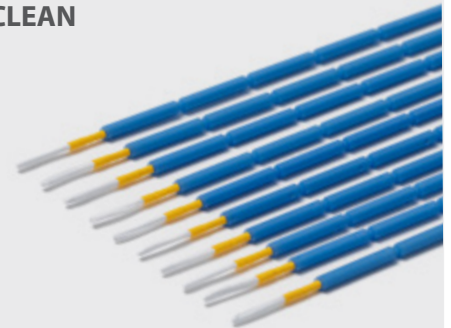
PN: SCK-SS-CS

Refill PN: SCK-SS-CS-R



**1.25 mm NEOCLEAN  
Cleaning Stick**

PN: CSK-01



**Accessories - Interferometry**

**SUMIX Manta W+ Inspection Scope**

PN: SMX-Manta-W+



- Inspects 12 fiber in 2.6 seconds, 24 fiber in 4.5 seconds
- 0.5µm defect detection
- Inspection tips for MPO, CS, SN, LC available

**SUMIX Max QM+ Inspection Scope**

PN: MAX-Quantum



- Inspects 12 fiber in 2.6 seconds, 24 fiber in 4.5 seconds
- 0.5µm defect detection

# SENKO<sup>®</sup>

Advanced Components

[sales@senko.com](mailto:sales@senko.com)  
1-858-623-3300

[senko.com/contact](https://senko.com/contact)