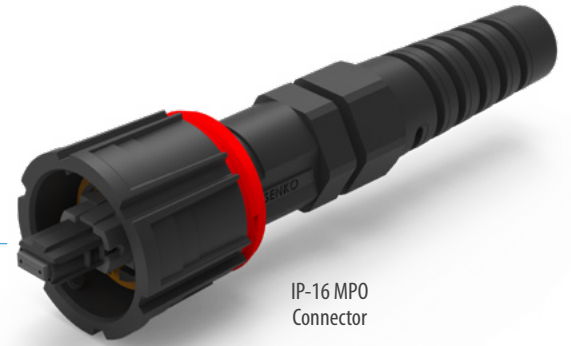


IP-16 MPO SERIES Connector Bulkhead and Inline Adapter



The IP-16 Connector series is SENKO's hardened fiber optic connectivity solution for outdoor applications and harsh environments. The light-weight, yet robust plastic housing provides IP68 rating, paired with ergonomic bayonet mechanics for quick and easy installations.

The IP-16 MPO Connector with various MT ferrule options enables quick and efficient cable installation such as trunk cables for the pre-connectorized fiber distribution terminal or SENKO's Plug & Play Fanout solutions.

Multi-fiber connectivity made for the harsh environment, as easy as traditional MPO connectors.

FEATURES

- IP68 rated hardened connector
- ODVA standard footprint
- Lightweight, yet rugged plastic body
- Bayonet lock with patented Safe Lock Ring
- UV resistance for outdoor applications
- 100lbs superior pull force
- Easy and quick termination
- Compatible with 4.5-11.0 mm OD cable

APPLICATIONS

- FTTx, FTTH
- Broadcast
- Military
- Industrial
- Transport
- Renewable energy

KEY BENEFITS

- ✓ **IP68 rated**
- ✓ **100lbf pull force**
- ✓ **Easy installation bayonet mechanism**

Mechanical Data

	Value
Durability	50 matings
Fiber Count	Multi-fiber (12/24 fibers)
Cable Suitability	4.5 - 11.0 mm round

Optical Data

	Singlemode		Multimode	
	APC		MM	
	Low Loss	Standard	Low Loss	Standard
Typical Insertion Loss (dB)* 12-fiber	0.10	0.20	0.08	0.15
Max. Insertion Loss (dB)* 12-fiber	0.25	0.70	0.25	0.50
Typical Return Loss (dB)* 24-fiber	0.15	0.25	0.15	0.20
Max. Insertion Loss (dB)* 24-fiber	0.35	1.00	0.35	0.50
Typical Return Loss (dB)*	≥60		≥25	

* Based on master grade jumper to low loss random mating test

Environmental Data

	Value
IP Rating*	IP68
Operating Temperature (C)	-40°C to +75°C
UV Resistance	Yes
RoHS Compliance	2015/863 RoHS
REACH Compliance	Yes

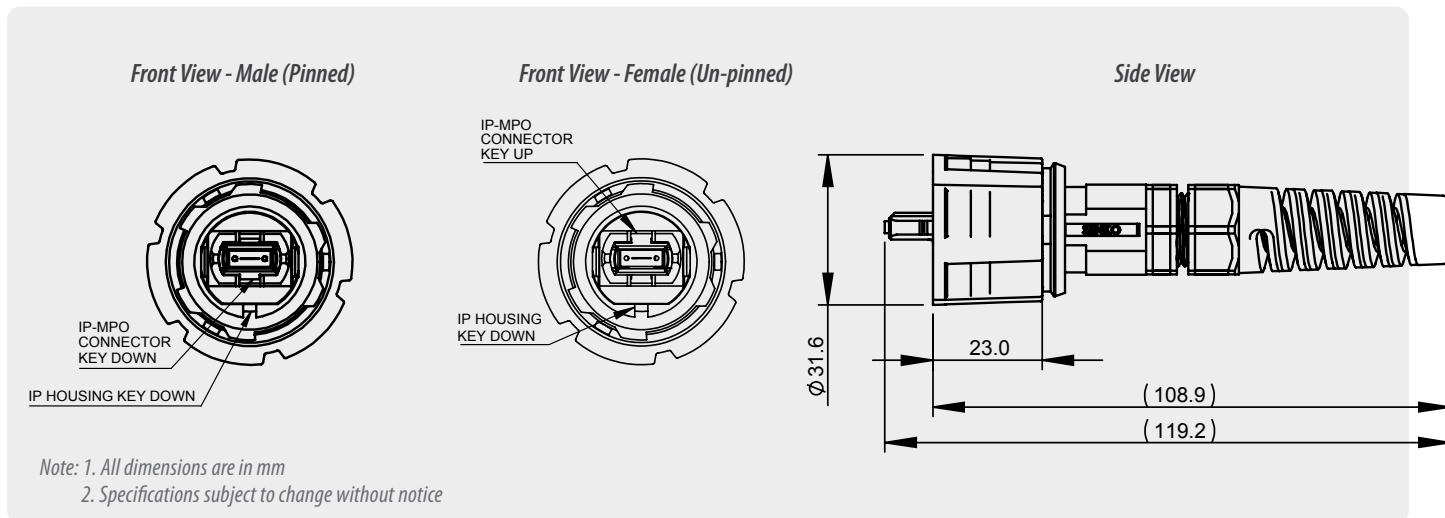
* The IP rating was validated using a SENKO sourced cable and termination procedure. It is recommended to retest IP rating for any other cable types.

IP-16 MPO SERIES

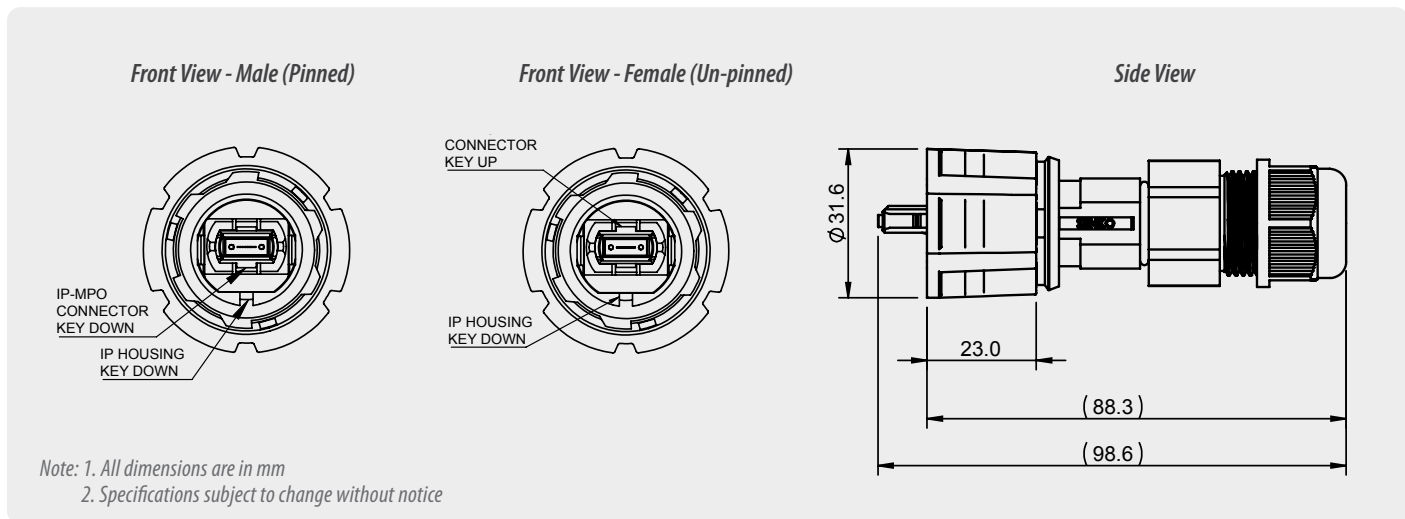
Connector

HARSH ENVIRONMENT SERIES DATA SHEET

Connector Drawing 4.5-7.2 mm Cable



Connector Drawing 7.5 - 11 mm Cable



ORDERING



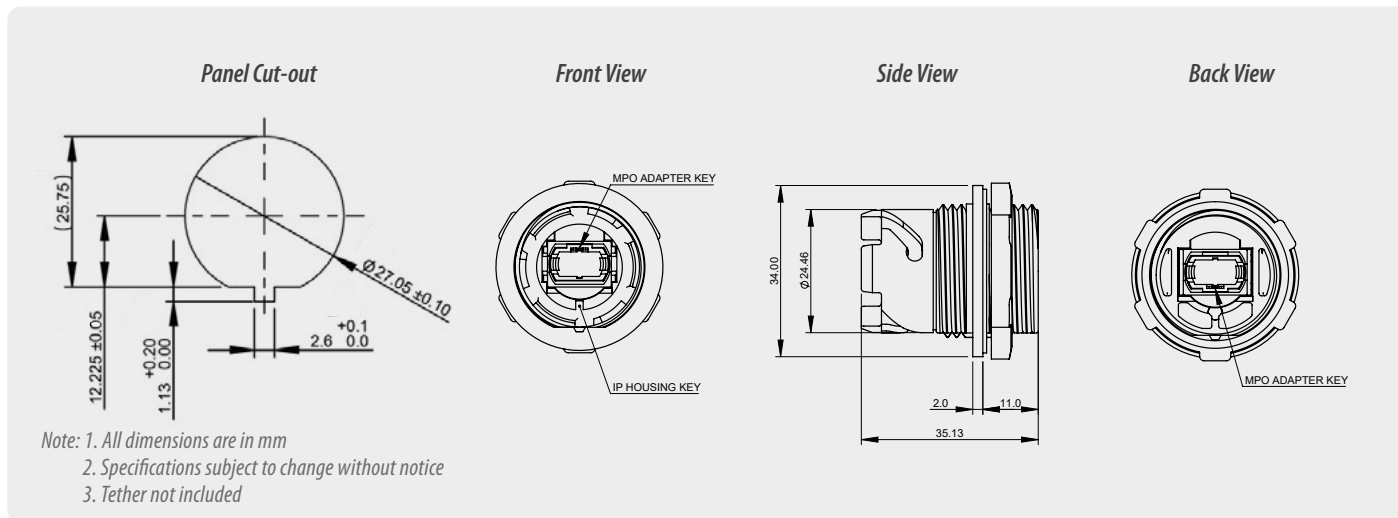
CONNECTOR TYPE		CONNECTOR TYPE		PERFORMANCE		FIBER COUNT		IP DUST CAP		IP DUST CAP	
IP16C2	IP-16 Connector Gen 2	MF	MPO Female	1	SM Standard	12	12 Fiber	4.8	4.5 mm - 4.9 mm	None	Without dust cap & tethers
		MM	MPO Male	2	MM Standard	24	24 Fiber	5.x	5.3 mm - 5.7 mm		
				3	SM Low Loss			6.0	5.8 mm - 6.2 mm	D	With dust cap & tether
				4	MM Low Loss			7.0	6.8 mm - 7.2 mm		
								E	7.5 mm - 11 mm		

IP16C - MF112 - 4.8 - D ORDER CODE example

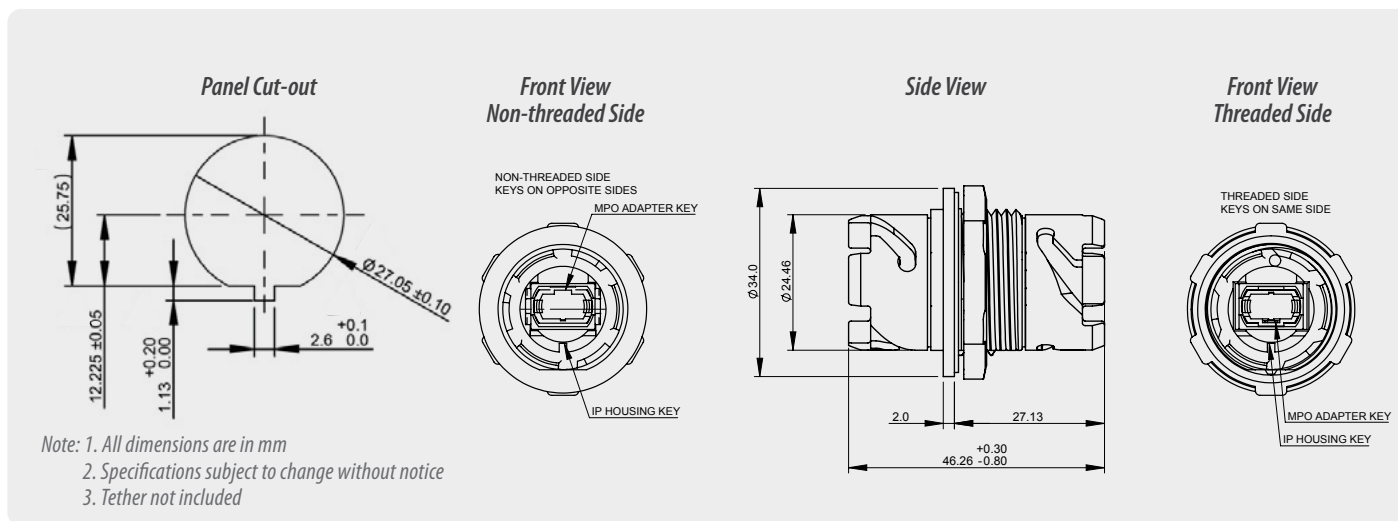
IP-16 MPO SERIES

Bulkhead and inline adapter


Bulkhead Adapter Drawing



Inline Adapter Drawing




ORDERING



IP-16 MPO Bulkhead Adapter

CODE	ADAPTER TYPE	TYPE	DUST CAP
IP-MPO	LA Bulkhead Adapter	779 Black Universal	D With Dust Cap
	LAI Inline Adapter		None Without Dust Cap



IP-16 MPO Inline Adapter

IPMPO -
 LA779 -
 D ORDER CODE example

SENKO[®]

Advanced Components

sales@senko.com
1-858-623-3300

senko.com/contact